



**Electric actuator RX® type VR**  
compact design, suitable for mounting on ISO 5211 flanges

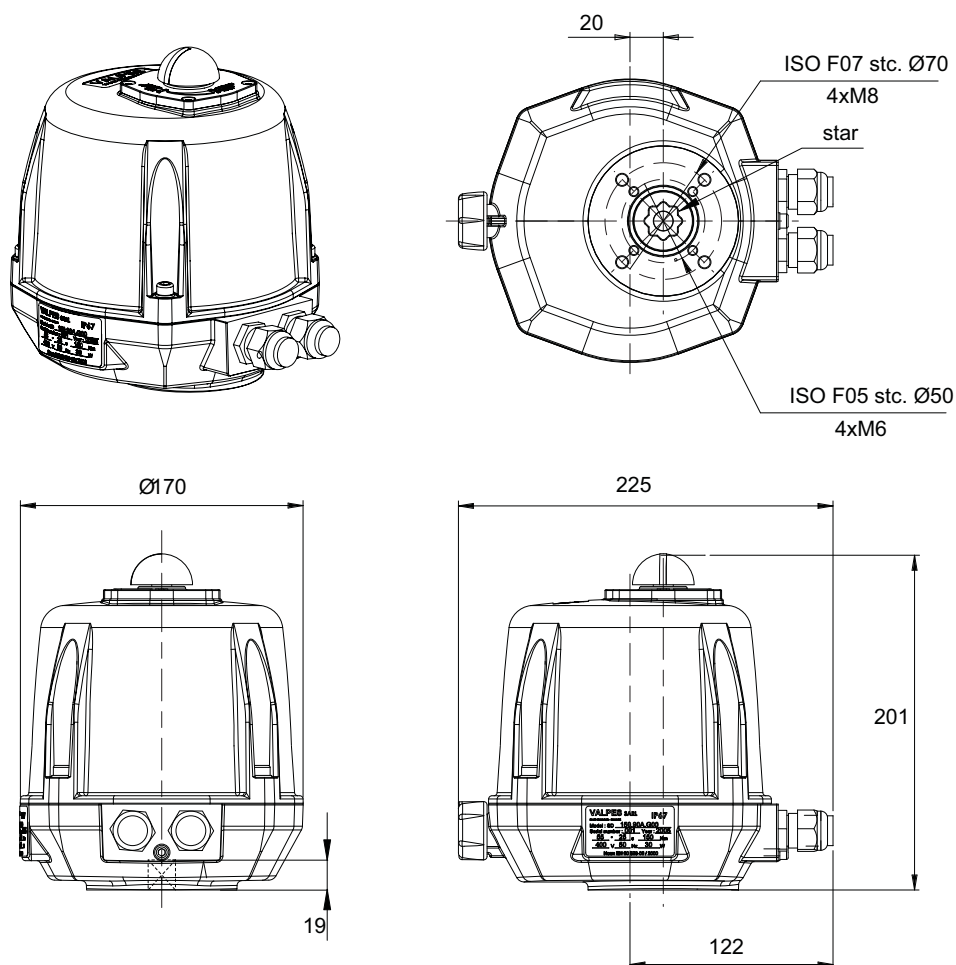
industrial electric actuator for quarter on-off valves such as ball valves, butterfly valves and plug valves

<b>Design</b>	: - standard; relay control; <b>type VR.00</b> - optional analogue control; <b>type VR.P5</b>
<b>Material body</b>	: aluminium epoxy coated
<b>Material cover</b>	: ABS
<b>Material coupling sleeve</b>	: steel galvanised
<b>Material bolts and nuts</b>	: stainless steel
<b>Material handwheel</b>	: glass fibre reinforced plastic
<b>Angle of rotation</b>	: 90°
<b>Stroke adjustment</b>	: using set screws between 85° and 95°
<b>Ambient temperature</b>	: -20 °C to +70 °C
<b>Enclosure protection</b>	: IP67
<b>Position indicator</b>	: removable plastic position indicator on continuous drive shaft
<b>Manual override</b>	: on continuous drive shaft; using adjustable spanner (not provided)
<b>Weight</b>	: 3.1 kg
<b>Supply voltage</b>	: standard; - 100-240V AC/(125-320V DC) -24V AC/DC - optional; 400V, three phase
<b>Duty rating (CEI34)</b>	: - standard; S4-50% optional; - S4-30% - S4-80%
<b>Control</b>	: standard; - open/closed, relay - 3-points modulating - optional; analogue positioning with 4-20 mA or 0-10V and valve position feedback 4-20 mA or 0-10V, programmable (not for 400V, three phase design)
<b>Limit switches</b>	: micro switches, 250V AC, 5A; - x 2 for motor connections - x 2 suitable for position feedback
<b>Condensation protection</b>	: integrated in electronics; 4W (not for 400V, three-phase design)
<b>Electrical connection</b>	: 2 x ISO M20 cable connector, IP68
<b>Options</b>	: see table

The information provided in this document is for general information purposes only and does not constitute advice. ERIKS shall not be liable for any damages resulting from the use of this document, including but not limited to damages caused by any incorrectness or incompleteness of the provided information, unless such damage is the result of any willful misconduct or gross negligence on part of ERIKS.

For more information, a quotation or an order please contact one of our specialists on number +31 (072) 514 18 00

ERIKS bv • P.O. box 280 • 1800 BK Alkmaar • phone (072) 514 15 14 • fax (072) 515 56 45 • info@eriks.nl • www.eriks.nl



**Tabel 1: Options**

	Design	
	type VR.00	type VR.P5
Condensation protection	10W; <b>type ERI.B</b>	10W; <b>type ERI.B</b>
Potentiometer for valve position feedback	100, 1000, 5000 of 10.000 Ohm for 90° stroke; <b>type EPR.B</b>	-
Analogue valve position feedback	4-20 mA for 90° angle of rotation; <b>type EPT.B</b>	-
3P+T M12 cable connector connections	1 x <b>type ECM.1</b> 2 x <b>type ECM.2</b>	1 x <b>type ECM.1</b> 2 x <b>type ECM.2</b>
Extra limit switches	set with 2 x; <b>type EFC.2</b>	-
Failsafe system	<b>type EBS.24</b>	-
Aluminium cover (0.9 kg)	<b>type ECA</b>	<b>type ECA</b>
Designs with 180° or 270° angle of rotation	yes	Yes
Explosion-proof design according to ATEX - II 2 GD EEx d IIB T6	<b>type VRX.00</b>	<b>type VRX.P5</b>

The information provided in this document is for general information purposes only and does not constitute advice. ERIKS shall not be liable for any damages resulting from the use of this document, including but not limited to damages caused by any incorrectness or incompleteness of the provided information, unless such damage is the result of any willful misconduct or gross negligence on part of ERIKS.

**For more information, a quotation or an order please contact one of our specialists on number +31 (072) 514 18 00**

ERIKS bv • P.O. box 280 • 1800 BK Alkmaar • phone (072) 514 15 14 • fax (072) 515 56 45 • info@eriks.nl • www.eriks.nl

**Table 2: Dimensions and other technical data**

Type	Dimensions				Other technical data				
	ISO-F	star	stc.	number x wires	torque	duty rating	voltage	output	execution 90°
		mm	mm		Nm		V	W	s
standard design									
VR25	F05/F07	17	50/70	4 x M6/4 x M8	25	S4-50%	400-3f	20	10
						S4-50%	100-240 AC	45	7
						S4-50%	24 AC/DC	45	7
						S4-80%	100-240 AC	85	7
						S4-80%	24 AC/DC	85	7
VR45	F05/F07	17	50/70	4 x M6/4 x M8	45	S4-50%	400-3f	52	10
						S4-50%	100-240 AC	45	15
						S4-50%	24 AC/DC	45	15
						S4-80%	100-240 AC	85	15
						S4-80%	24 AC/DC	85	15
VR75	F05/F07	17	50/70	4 x M6/4 x M8	75	S4-30%	100-240 AC	45	15
						S4-30%	24 AC/DC	45	15
						S4-50%	400-3f	52	15
						S4-50%	100-240 AC	45	20
						S4-50%	24 AC/DC	45	20
						S4-80%	100-240 AC	85	20
						S4-80%	24 AC/DC	85	20
design with analogue positioning									
VR25.P5	F05/F07	17	50/70	4 x M6/4 x M8	25	S4-50%	100-240 AC	45	15
						S4-50%	24 AC/DC	45	15
						S4-80%	100-240 AC	85	15
						S4-80%	24 AC/DC	85	15
VR45.P5	F05/F07	17	50/70	4 x M6/4 x M8	45	S4-50%	100-240 AC	45	15
						S4-50%	24 AC/DC	45	15
						S4-80%	100-240 AC	85	15
						S4-80%	24 AC/DC	85	15
VR75.P5	F05/F07	17	50/70	4 x M6/4 x M8	75	S4-50%	100-240 AC	45	20
						S4-50%	24 AC/DC	45	20
						S4-80%	100-240 AC	85	20
						S4-80%	24 AC/DC	85	20