



**Electric actuator RX® type VS**  
design with handwheel, suitable for mounting on ISO 5211 flanges

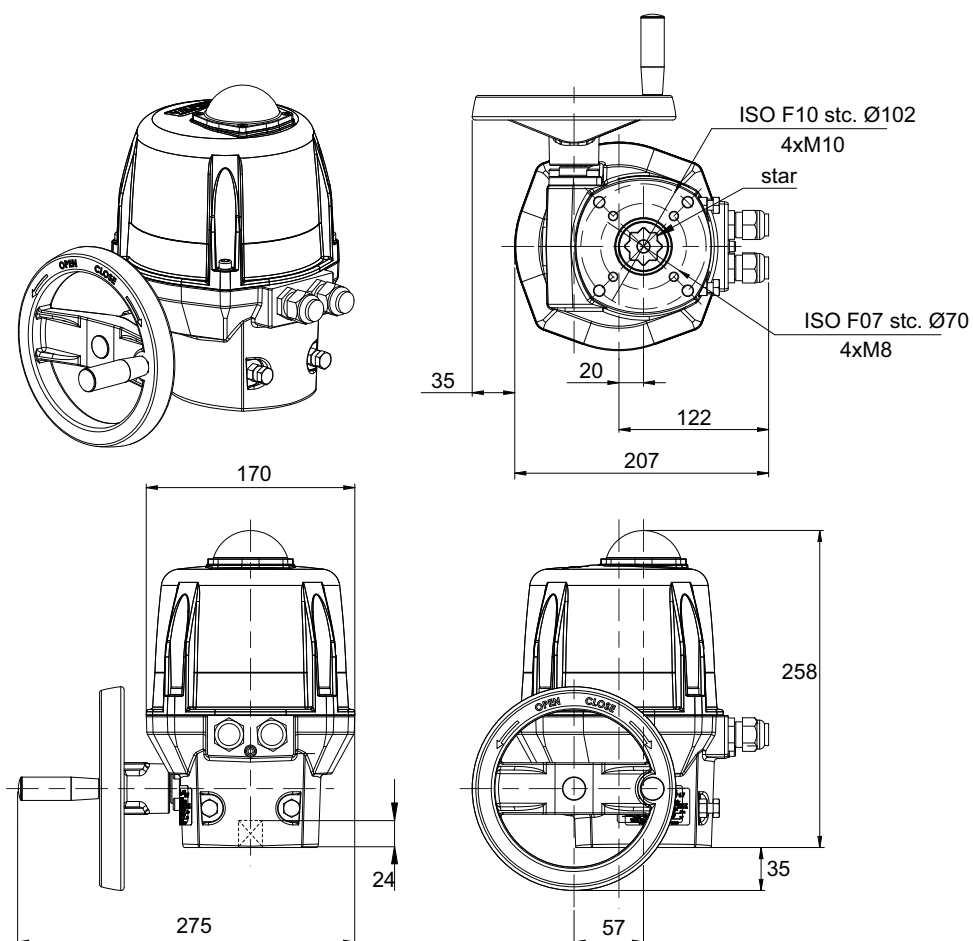
industrial electric actuator for quarter on-off valves such as ball valves, butterfly valves and plug valves

|                                 |  |
|---------------------------------|--|
| <b>Design</b>                   | : - standard; relay control; <b>type VS.00</b><br>- optional analogue control; <b>type VS.P5</b>   |
| <b>Material body</b>            | : aluminium epoxy coated   |
| <b>Material cover</b>           | : ABS  |
| <b>Material coupling sleeve</b> | : steel galvanised   |
| <b>Material bolts and nuts</b>  | : stainless steel  |
| <b>Material handwheel</b>       | : glass fibre reinforced plastic   |
| <b>Angle of rotation</b>        | : 90°  |
| <b>Stroke adjustment</b>        | : using set screws between 85° and 95°   |
| <b>Ambient temperature</b>      | : -20 °C to +70 °C   |
| <b>Enclosure protection</b>     | : IP67   |
| <b>Position indicator</b>       | : large position indicator with status indication integrated into cover  |
| <b>Hand operation</b>           | : removable handwheel  |
| <b>Weight</b>                   | : 5.6 kg   |
| <b>Supply voltage</b>           | : standard;<br>- 100-240V AC/(125-320V DC)<br>-24V AC/DC<br>- optional; 400V, three phase  |
| <b>Duty rating (CEI34)</b>      | : - standard; S4-50%<br>optional;<br>- S4-30%<br>- S4-80%  |
| <b>Control</b>                  | : standard;<br>- open/closed relay<br>- 3-points modulating<br>- optional; analogue positioning with 4-20 mA or 0-10V and valve position feedback 4-20 mA, programmable (not for 400V, three phase design) |
| <b>Limit switches</b>           | : micro switches, 250V AC, 5A;<br>- x 2 for motor connections<br>- x 2 suitable for position feedback  |
| <b>Condensation protection</b>  | : integrated in electronics; 4W (not for 400V, three-phase design)   |
| <b>Electrical connection</b>    | : 2 x ISO M20 cable connector, IP68  |
| <b>Options</b>                  | : see table  |

*The information provided in this document is for general information purposes only and does not constitute advice. ERIKS shall not be liable for any damages resulting from the use of this document, including but not limited to damages caused by any incorrectness or incompleteness of the provided information, unless such damage is the result of any willful misconduct or gross negligence on part of ERIKS.*

**For more information, a quotation or an order please contact one of our specialists on number +31 (072) 514 18 00**

ERIKS bv • P.O. box 280 • 1800 BK Alkmaar • phone (072) 514 15 14 • fax (072) 515 56 45 • info@eriks.nl • www.eriks.nl



**Tabel 1: Options type VS**

|   | Design  |                        |
|---|---|------------------------|
|   | type VS.00  | type VS.P5             |
| Condensation protection   | 10W; <b>type ERI.B</b>  | 10W; <b>type ERI.B</b> |
| Potentiometer for valve position feedback                       | 10W with thermo-switch; <b>type ERT.B</b>                       | -                      |
| Analogue valve position feedback                                | 100, 1000, 5000 of 10.000 Ohm for 90° stroke; <b>type EPR.B</b> | -                      |
| 3P+T M12 cable connector connections                            | 4-20 mA for 90° stroke; <b>type EPT.B</b>                       | -                      |
| Extra limit switches  | 1 x <b>type ECM.1</b>   | 1 x <b>type ECM.1</b>  |
| Failsafe system   | 2 x <b>type ECM.2</b>   | 2 x <b>type ECM.2</b>  |
| Aluminium cover (0.9 kg)  | set with 2 x; <b>type EFC.2</b>                                 | -                      |
| Designs with 180° or 270° angle of rotation                     | <b>type EBS.24</b>  | -                      |
| Explosion-proof design according to ATEX - II 2 GD EEx d IIB T6 | <b>type ECA</b>   | <b>type ECA</b>        |
|   | yes   | Yes                    |
|   | <b>type VSX.00</b>  | <b>type VSX.P5</b>     |

The information provided in this document is for general information purposes only and does not constitute advice. ERIKS shall not be liable for any damages resulting from the use of this document, including but not limited to damages caused by any incorrectness or incompleteness of the provided information, unless such damage is the result of any willful misconduct or gross negligence on part of ERIKS.

For more information, a quotation or an order please contact one of our specialists on number +31 (072) 514 18 00

ERIKS bv • P.O. box 280 • 1800 BK Alkmaar • phone (072) 514 15 14 • fax (072) 515 56 45 • info@eriks.nl • www.eriks.nl

**Tabel 2: Dimensions and other technical data**

| Type                             | Dimensions |      |        |                | Other technical data |             |            |        |               |
|----------------------------------|------------|------|--------|----------------|----------------------|-------------|------------|--------|---------------|
|                                  | ISO-F      | star | stc.   | Number x wires | torque               | duty rating | voltage    | output | execution 90° |
|                                  |            | mm   | mm     |                | Nm                   |             | V          | W      | s             |
| standard design                  |            |      |        |                |                      |             |            |        |               |
| VS100                            | F07/F10    | 22   | 70/102 | 4 x M8/4 x M10 | 100                  | S4-50%      | 400-3f     | 135    | 10            |
|                                  |            |      |        |                |                      | S4-50%      | 100-240 AC | 45     | 15            |
|                                  |            |      |        |                |                      | S4-50%      | 24 AC/DC   | 45     | 15            |
|                                  |            |      |        |                |                      | S4-80%      | 100-240 AC | 85     | 15            |
|                                  |            |      |        |                |                      | S4-80%      | 24 AC/DC   | 85     | 15            |
| VS150                            | F07/F10    | 22   | 70/102 | 4 x M8/4 x M10 | 150                  | S4-30%      | 100-240 AC | 45     | 30            |
|                                  |            |      |        |                |                      | S4-30%      | 24 AC/DC   | 45     | 30            |
|                                  |            |      |        |                |                      | S4-50%      | 400-3f     | 135    | 20            |
|                                  |            |      |        |                |                      | S4-50%      | 100-240 AC | 85     | 30            |
|                                  |            |      |        |                |                      | S4-50%      | 24 AC/DC   | 85     | 30            |
|                                  |            |      |        |                |                      | S4-80%      | 100-240 AC | 85     | 30            |
|                                  |            |      |        |                |                      | S4-80%      | 24 AC/DC   | 85     | 30            |
| VS300                            | F07/F10    | 22   | 70/102 | 4 x M8/4 x M10 | 300                  | S4-30%      | 100-240 AC | 85     | 50            |
|                                  |            |      |        |                |                      | S4-30%      | 24 AC/DC   | 85     | 50            |
|                                  |            |      |        |                |                      | S4-50%      | 400-3f     | 135    | 35            |
|                                  |            |      |        |                |                      | S4-50%      | 100-240 AC | 85     | 50            |
|                                  |            |      |        |                |                      | S4-50%      | 24 AC/DC   | 85     | 50            |
|                                  |            |      |        |                |                      | S4-80%      | 100-240 AC | 85     | 50            |
|                                  |            |      |        |                |                      | S4-80%      | 24 AC/DC   | 85     | 50            |
| design with analogue positioning |            |      |        |                |                      |             |            |        |               |
| VS100.<br>P5                     | F07/F10    | 22   | 70/102 | 4 x M8/4 x M10 | 100                  | S4-50%      | 100-240 AC | 45     | 15            |
|                                  |            |      |        |                |                      | S4-50%      | 24 AC/DC   | 45     | 15            |
|                                  |            |      |        |                |                      | S4-80%      | 100-240 AC | 85     | 15            |
|                                  |            |      |        |                |                      | S4-80%      | 24 AC/DC   | 85     | 15            |
| VS150.<br>P5                     | F07/F10    | 22   | 70/102 | 4 x M8/4 x M10 | 150                  | S4-50%      | 100-240 AC | 85     | 30            |
|                                  |            |      |        |                |                      | S4-50%      | 24 AC/DC   | 85     | 30            |
|                                  |            |      |        |                |                      | S4-80%      | 100-240 AC | 85     | 30            |
|                                  |            |      |        |                |                      | S4-80%      | 24 AC/DC   | 85     | 30            |
| VS300.<br>P5                     | F07/F10    | 22   | 70/102 | 4 x M8/4 x M10 | 300                  | S4-50%      | 100-240 AC | 85     | 50            |
|                                  |            |      |        |                |                      | S4-50%      | 24 AC/DC   | 85     | 50            |
|                                  |            |      |        |                |                      | S4-80%      | 100-240 AC | 85     | 50            |
|                                  |            |      |        |                |                      | S4-80%      | 24 AC/DC   | 85     | 50            |