



**Electric actuator RX® type VT**  
**design with handwheel, suitable for mounting on ISO 5211 flanges**

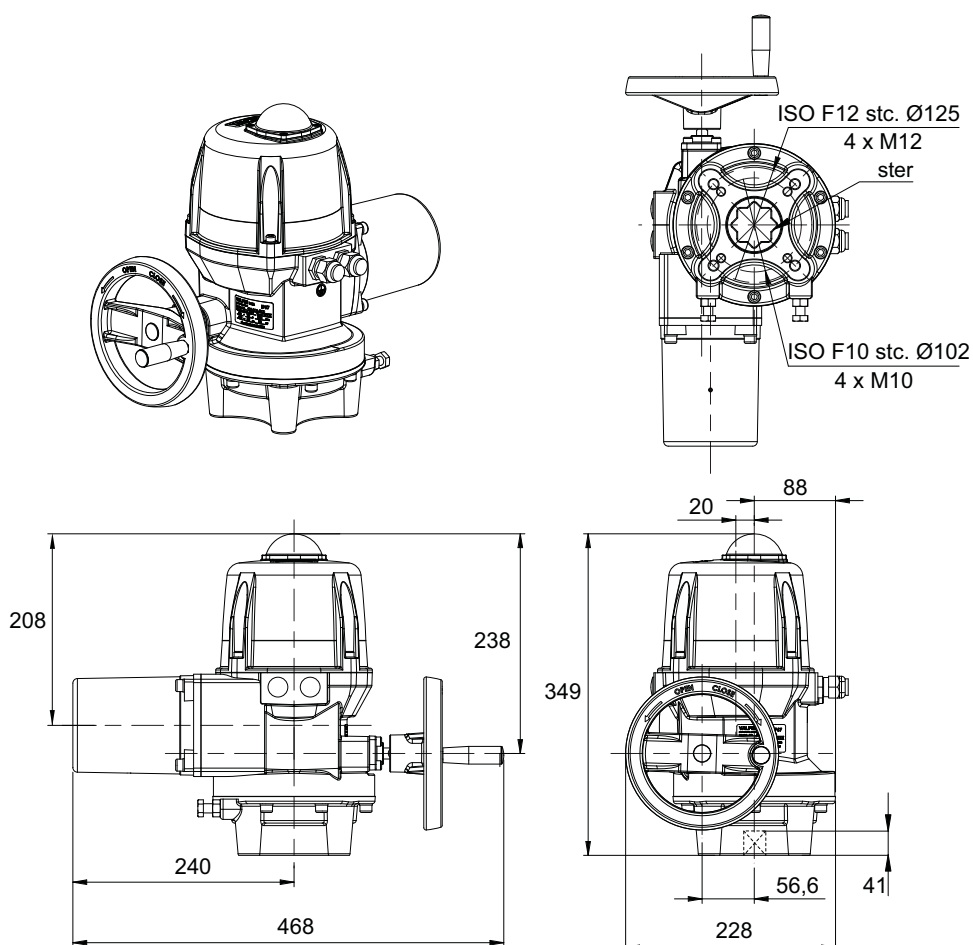
industrial electric actuator for quarter on-off valves such as ball valves, butterfly valves and plug valves

<b>Design</b>	: relay control; <b>type VT.00</b>
<b>Material body</b>	: aluminium epoxy coated
<b>Material cover</b>	: ABS
<b>Material coupling sleeve</b>	: steel galvanised
<b>Material bolts and nuts</b>	: stainless steel
<b>Material handwheel</b>	: glass fibre reinforced plastic
<b>Angle of rotation</b>	: 90°
<b>Stroke adjustment</b>	: using set screws between 85° and 95°
<b>Ambient temperature</b>	: -20 °C to +70 °C
<b>Enclosure protection</b>	: IP67
<b>Position indicator</b>	: large position indicator with status indication integrated into cover
<b>Hand operation</b>	: removable handwheel
<b>Weight</b>	: 17.1 kg
<b>Supply voltage</b>	: - standard; 230 AC - optional; 400V, three phase
<b>Duty rating (CEI34)</b>	: S4-50%
<b>Control</b>	: - open/closed relay - 3-points modulating
<b>Limit switches</b>	: micro switches, 250V AC-10A/400V AC-16A; - x 2 for motor connections - x 2 suitable for position feedback
<b>Condensation protection</b>	: 10W
<b>Torque protection</b>	: open and closed position by means of torque-dependent limit switches.
<b>Electrical connection</b>	: 2 x ISO M20 cable connector, IP68

*The information provided in this document is for general information purposes only and does not constitute advice. ERIKS shall not be liable for any damages resulting from the use of this document, including but not limited to damages caused by any incorrectness or incompleteness of the provided information, unless such damage is the result of any willful misconduct or gross negligence on part of ERIKS.*

**For more information, a quotation or an order please contact one of our specialists on number +31 (072) 514 18 00**

ERIKS bv • P.O. box 280 • 1800 BK Alkmaar • phone (072) 514 15 14 • fax (072) 515 56 45 • info@eriks.nl • www.eriks.nl



**Tabel 1: Dimensions and other technical data**

Type	Dimensions				Other technical data				
	ISO-F	star	stc.	number x wires	torque	duty rating	voltage	output	execution 90°
		mm	mm		Nm		V	W	S
VT600	F10/F12	36	102/125	4 x M10/4 x M12	600	S4-50%	400-3f	250	38
						S4-50%	230 AC	250	38
VT1000	F10/F12	36	102/125	4 x M10/4 x M12	1000	S4-50%	400-3f	250	38
						S4-50%	230 AC	250	38

The information provided in this document is for general information purposes only and does not constitute advice. ERIKS shall not be liable for any damages resulting from the use of this document, including but not limited to damages caused by any incorrectness or incompleteness of the provided information, unless such damage is the result of any willful misconduct or gross negligence on part of ERIKS.

**For more information, a quotation or an order please contact one of our specialists on number +31 (072) 514 18 00**

ERIKS bv • P.O. box 280 • 1800 BK Alkmaar • phone (072) 514 15 14 • fax (072) 515 56 45 • info@eriks.nl • www.eriks.nl