



Electrically operated stainless steel ball valve RX® fig. 3182HMF/VS
two-piece, full bore with flange connection

two-piece stainless steel ball valve in EN 558 overall length with full bore and flange connection and electric actuator

Ball valve	: fig. 3182HMF
Material body	: stainless steel, GX5CrNiMo19-11-2 (1.4408)
Connecting piece	: stainless steel, GX5CrNiMo19-11-2 (1.4408)
Ball	: stainless steel, GX5CrNiMo19-11-2 (1.4408)
Spindle	: stainless steel, X5CrNiMo17-12-2 (1.4401)
Bolts/nuts/circlips	: stainless steel, X5CrNi18-10 (1.4301)
Seats	: 15% RPTFE (glass fibre reinforced PTFE)
Spindle seals	: 15% RPTFE (glass fibre reinforced PTFE)
O-ring	: FPM
Body seal	: PTFE
Connection	: flanges, according to EN1092-1; PN16
Overall length	: according to EN 558 Gr27
Construction	: two-piece cast body with full bore and flange connection
Operating pressure	: max. 16 bar (PN16)*
Temperature	: -30 °C to +230 °C
Actuator	: RX® type VS.00
Supply voltage	: DC and AC as required; see Table 2
Running time	: 90° travel time; see Table 2
Material body	: aluminium epoxy-coated
Cover	: ABS
Screws	: stainless steel
Control	: - open/closed relay - 3-points modulating
Limit switches	: micro switches, 250V AC, 5A; - x 2 for motor connections - x 2 suitable for position feedback
Duty rating (CEI34)	: S4-50%
Temperature range	: -20 °C to +70 °C
Enclosure protection	: IP67
Position indicator	: large position indicator with status indication integrated into cover
Hand-operation	: removable hand wheel

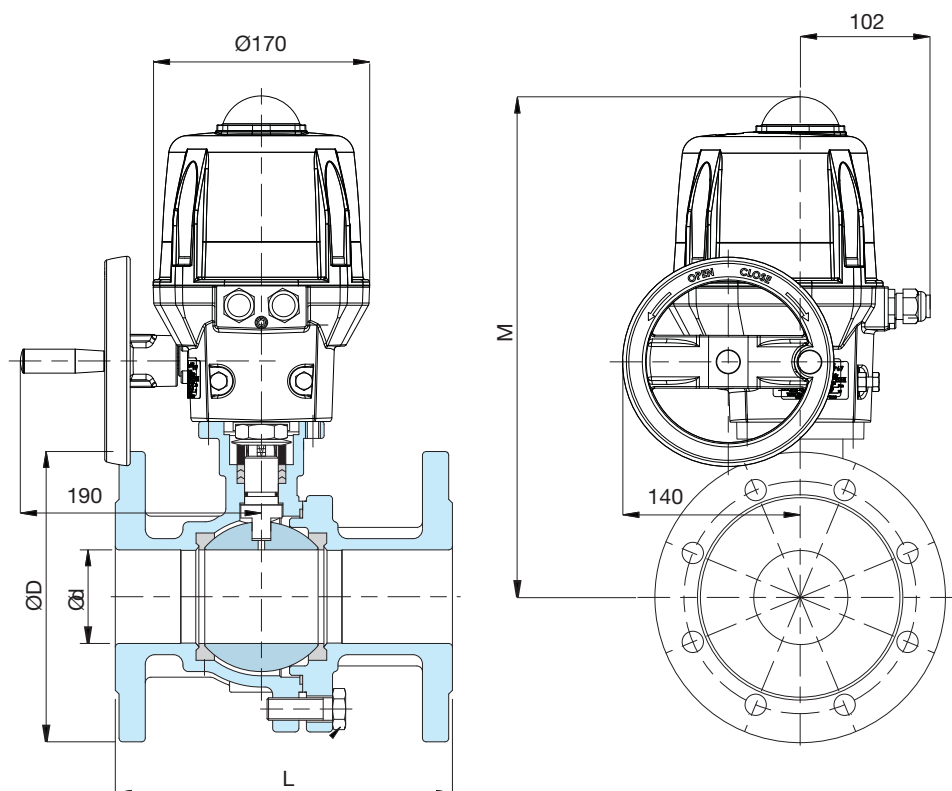
* The selection of the actuator is based on a maximum differential pressure of 10 bar!

All ball valves in accordance with PED 97/23/EC

The information provided in this document is for general information purposes only and does not constitute advice. ERIKS shall not be liable for any damages resulting from the use of this document, including but not limited to damages caused by any incorrectness or incompleteness of the provided information, unless such damage is the result of any willful misconduct or gross negligence on part of ERIKS.

For more information, a quotation or an order please contact one of our specialists on number +31 (072) 514 18 00

ERIKS bv • P.O. box 280 • 1800 BK Alkmaar • phone (072) 514 15 14 • fax (072) 515 56 45 • info@eriks.nl • www.eriks.nl



Tabel 1: Dimensions fig. 3182HMF/VS; maximum operating pressure 10 bar

DN		100	125	150	200
PN		16	16	16	16
Actuator, type VS		150	150	300	**
Ød	mm	100	125	150	
ØD	mm	220	250	285	
L	mm	190	325	350	
M*	mm	401	520	540	
weight	kg	30.4	51.4	62.7	

* DN125 and DN150; construction with bridge and coupling spindle

** on request

Tabel 2: Electrical data fig. 3182HMF/VS

DN	Actuator	Control voltage	Power	Running time
			W	s
100/125	VS150	100-240V AC	85	30
		24V AC/DC	85	30
		400V-3f	135	20
150	VS300	100-240V AC	85	50
		24V AC/DC	85	50
		400V-3f	135	35

The information provided in this document is for general information purposes only and does not constitute advice. ERIKS shall not be liable for any damages resulting from the use of this document, including but not limited to damages caused by any incorrectness or incompleteness of the provided information, unless such damage is the result of any willful misconduct or gross negligence on part of ERIKS.

For more information, a quotation or an order please contact one of our specialists on number +31 (072) 514 18 00

ERIKS bv • P.O. box 280 • 1800 BK Alkmaar • phone (072) 514 15 14 • fax (072) 515 56 45 • info@eriks.nl • www.eriks.nl