



Electrically operated stainless steel three-way ball valve RX® fig. 3204HMF/ER four seats, reduced bore

fig. 3204HMF-T: T port

fig. 3204HMF-L: L port

stainless steel three-way ball valve with reduced bore and female connection with T or L port and electric actuator

Ball valve	: fig. 3204HMF
Material body	: stainless steel, GX5CrNiMo19-11-2 (1.4408)
Connection piece	: stainless steel, GX5CrNiMo19-11-2 (1.4408)
Ball	: stainless steel, GX5CrNiMo19-11-2 (1.4408)
Spindle	: stainless steel, X5CrNiMo17-12-2 (1.4401)
Bolts/nuts/circlips	: stainless steel, X5CrNi18-10 (1.4301)
Seats	: 15% RPTFE (glass fibre reinforced PTFE)
Material spindle gaskets	: 15% RPTFE (glass fibre reinforced PTFE)
O-ring	: FPM
Body seal	: PTFE
Connection	: three sides BSP female connection as per BS 21
Construction	: three-way cast body with reduced bore
Operating pressure	: max. 63 bar (PN63)*
Temperature	: -30 °C to +180 °C
Actuator	: RX® type ER.00
Supply voltage	: DC and AC as required; see Table 2
Running time	: 90° travel time; see Table 2
Material body	: nylon GF6.6
Material cover	: ABS
Material screws	: stainless steel
Driving	: - open/closed, relay - 3-points modulating
Limit switches	: micro switches, 250V AC, 5A; - x 2 for motor connections - x 2 suitable for position feedback
Duty cycle	: 50%
Temperature range	: -10 °C to +55 °C
Enclosure protection	: IP65
Position indicator	: removable plastic position indicator on continuous drive shaft
Emergency hand operation	: on continuous drive shaft; - ER10-20; T grip (provided) - ER35-60-100; with adjustable spanner (not provided)

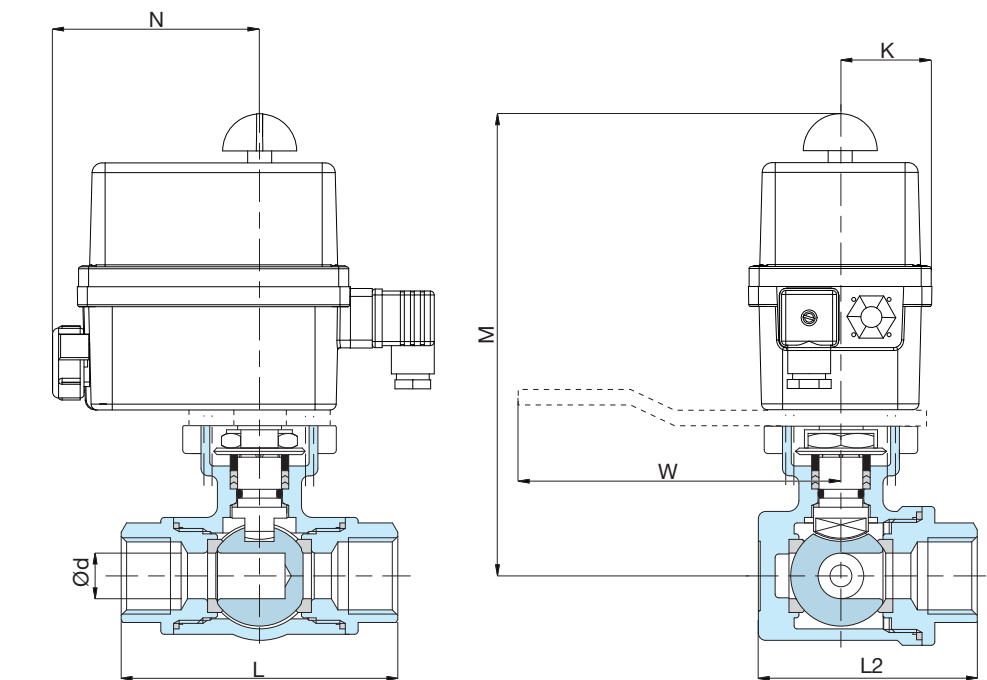
* The selection of the actuator is based on a maximum differential pressure of 10 bar!

All ball valves and actuators in accordance with PED 97/23/EC

The information provided in this document is for general information purposes only and does not constitute advice. ERIKS shall not be liable for any damages resulting from the use of this document, including but not limited to damages caused by any incorrectness or incompleteness of the provided information, unless such damage is the result of any willful misconduct or gross negligence on part of ERIKS.

For more information, a quotation or an order please contact one of our specialists on number +31 (072) 514 18 00

ERIKS bv • P.O. box 280 • 1800 BK Alkmaar • phone (072) 514 15 14 • fax (072) 515 56 45 • info@eriks.nl • www.eriks.nl



Tabel 1: Dimensions fig. 3204HMF/ER; maximum operating 10 bar

BSP		1/4"	3/8"	1/2"	3/4"	1"	1.1/4"	1.1/2"	2"
Actuator, type ER		10	10	10	10	20	20	35	35
Ød	mm	11.6	12.5	12.5	16	20	25	32	38
L	mm	76	76	76	86	99	117	124	148
L2	mm	59	59	59	72	82	95	104	126
K	mm	46	46	46	46	46	46	64	64
N	mm	91	91	91	91	91	91	97	97
M*	mm	188	188	188	192	201	206	251	260
W*	mm	180	180	180	180	180	180	200	200
weight	kg	1.81	1.81	1.71	2.21	2.68	3.48	6.29	8.49

* Handle, type ERP is optional.

Dimension M with handle, type ERP:

- for ER10-20; + 4 mm

- for ER35-60-100; + 5 mm

Tabel 2: Electrical data fig. 3204HMF/ER

BSP	Actuator	Control voltage	Power	Running time
			W	s
up to 3/4"	ER10	100-240V AC	15	10
		24V AC/DC	15	10
1" and 1.1/4"	ER20	100-240V AC	15	20
		24V AC/DC	15	20
1.1/2" and 2"	ER35	100-240V AC	15	35
		24V AC/DC	15	35

The information provided in this document is for general information purposes only and does not constitute advice. ERIKS shall not be liable for any damages resulting from the use of this document, including but not limited to damages caused by any incorrectness or incompleteness of the provided information, unless such damage is the result of any willful misconduct or gross negligence on part of ERIKS.

For more information, a quotation or an order please contact one of our specialists on number +31 (072) 514 18 00

ERIKS bv • P.O. box 280 • 1800 BK Alkmaar • phone (072) 514 15 14 • fax (072) 515 56 45 • info@eriks.nl • www.eriks.nl