



Pneumatic operated stainless steel ball valve RX® fig. 3182HMF/ASR
two-piece, full bore with flange connection, single-acting

two-piece stainless steel ball valve in EN 558 overall length with full bore and flange connection and single-acting, pneumatic actuator

Ball valve	: fig. 3182HMF
Material body	: stainless steel, GX5CrNiMo19-11-2 (1.4408)
Connecting piece	: stainless steel, GX5CrNiMo19-11-2 (1.4408)
Ball	: stainless steel, GX5CrNiMo19-11-2 (1.4408)
Spindle	: stainless steel, X5CrNiMo17-12-2 (1.4401)
Bolts/nuts/circlips	: stainless steel, X5CrNi18-10 (1.4301)
Seats	: 15% RPTFE (glass fibre reinforced PTFE)
Material spindle gaskets	: 15% RPTFE (glass fibre reinforced PTFE)
O-ring	: FPM
Body seal	: PTFE
Connection	: flanges, according to EN1092-1 - DN15 up to DN50: PN40 - from DN65: PN16 (note: DN65: 4 holes)
Overall length	: according to EN 558 Gr27
Construction	: two-piece cast body with full bore and flange connection
Operating pressure	: - up to DN50; max. 40 bar (PN40)* - from DN65; max. 16 bar (PN16)*
Temperature	: -30 °C to +230 °C
ATEX 94/9/EC	: EEx II 2 GDcX
Actuator	: RX® type ASR
Function	: single-acting, spring-return
Material body	: aluminium hard anodised
Covers	: aluminium epoxy-coated
Cover bolts	: stainless steel A2-70
Position indicator	: Polyamide
Max air operating pressure	: 8 bar*
Temperature range	: -30 °C to +80 °C
ATEX 94/9/EC	: Ex II G D c

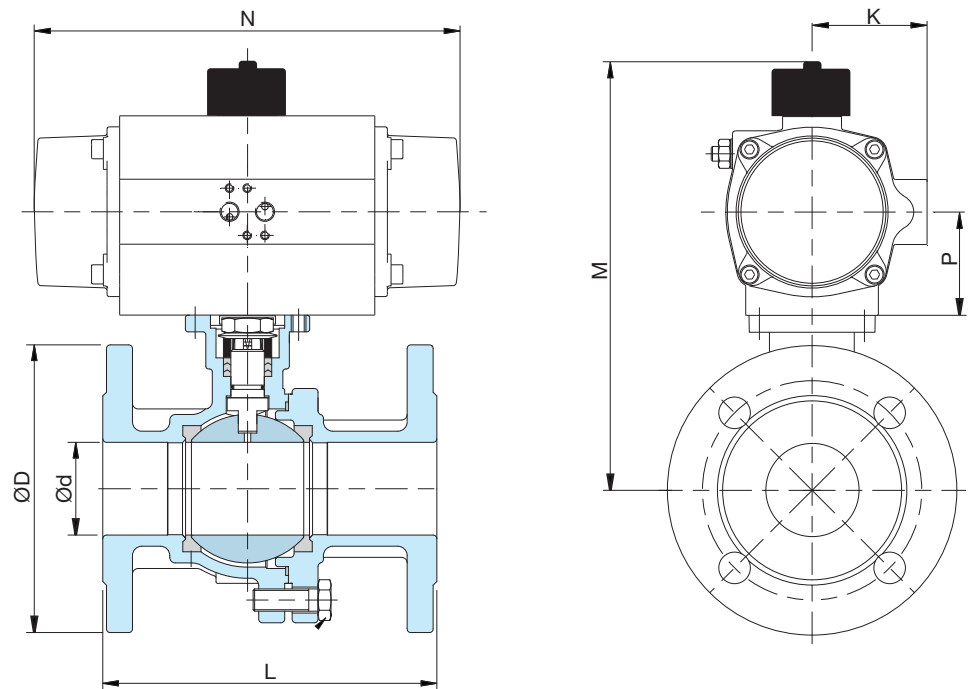
* Selection of the actuator is based on a maximum medium differential pressure of 10 bar and a minimum air operating pressure of 6 bar!

All ball valves and actuators in accordance with PED 97/23/EC

The information provided in this document is for general information purposes only and does not constitute advice. ERIKS shall not be liable for any damages resulting from the use of this document, including but not limited to damages caused by any incorrectness or incompleteness of the provided information, unless such damage is the result of any willful misconduct or gross negligence on part of ERIKS.

For more information, a quotation or an order please contact one of our specialists on number +31 (072) 514 18 00

ERIKS bv • P.O. box 280 • 1800 BK Alkmaar • phone (072) 514 15 14 • fax (072) 515 56 45 • info@eriks.nl • www.eriks.nl



Tabel 1: Dimensions fig. 3182HMF/ASR; maximum operating pressure 10 bar, air operating pressure 6 bar

DN		15	20	25	32	40	50	65	80	100	125	150	200
PN		40	40	40	40	40	40	16	16	16	16	16	16
Actuator, type ASR		40	80	80	130	130	130	200	300	500	850	850	1200
Ød	mm	15	20	25	32	40	50	65	80	100	125	150	200
ØD	mm	95	105	115	140	150	165	185	200	220	250	285	340
L	mm	115	120	125	130	140	150	170	180	190	325	350	400
K	mm	56	66	66	71	71	71	78	86	96	106	106	116
P	mm	45	55	55	60	60	60	70	80	85	98	98	114
M	mm	170	204	204	221	233	240	278	307	342	406	422	508
N	mm	195	217	217	258	258	258	299	349	397	473	473	560
weight	kg	4.71	7.01	8.18	10.68	13.19	15.19	21.33	29.13	41.5	65.4	76.8	12.8

The information provided in this document is for general information purposes only and does not constitute advice. ERIKS shall not be liable for any damages resulting from the use of this document, including but not limited to damages caused by any incorrectness or incompleteness of the provided information, unless such damage is the result of any willful misconduct or gross negligence on part of ERIKS.

For more information, a quotation or an order please contact one of our specialists on number +31 (072) 514 18 00

ERIKS bv • P.O. box 280 • 1800 BK Alkmaar • phone (072) 514 15 14 • fax (072) 515 56 45 • info@eriks.nl • www.eriks.nl