



Pneumatic operated stainless steel three-way ball valve RX® fig. 3204HMF/ASR

four seats, reduced bore, single acting

fig. 3204HMF-T: T port

fig. 3204HMF-L: L port

stainless steel three-way ball valve with reduced bore and female connection with T or L port and single-acting, pneumatic actuator

Ball valve	: fig. 3204HMF
Material body	: stainless steel, GX5CrNiMo19-11-2 (1.4408)
Connection piece	: stainless steel, GX5CrNiMo19-11-2 (1.4408)
Ball	: stainless steel, GX5CrNiMo19-11-2 (1.4408)
Spindle	: stainless steel, X5CrNiMo17-12-2 (1.4401)
Bolts/nuts/circlips	: stainless steel, X5CrNi18-10 (1.4301)
Seats	: 15% RPTFE (glass fibre reinforced PTFE)
Material spindle gaskets	: 15% RPTFE (glass fibre reinforced PTFE)
O-ring	: FPM
Body seal	: PTFE
Connection	: three sides BSP female connection as per BS 21
Construction	: three-way cast body with reduced bore
Operating pressure	: max. 63 bar (PN63)*
Temperature	: -30 °C to +180 °C

Actuator	: RX® type ASR
Function	: single-acting, spring return
Material body	: aluminium hard anodised
Covers	: aluminium epoxy-coated
Cover bolts	: stainless steel A2-70
Position indicator	: Polyamide
Max air operating pressure	: 8 bar
Temperature range	: -30 °C to +80 °C

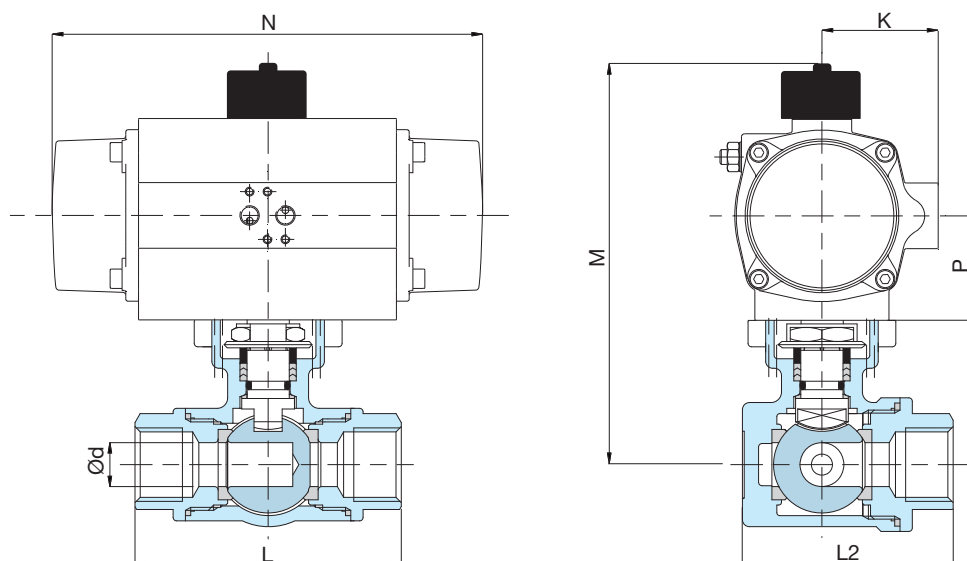
* Selection of the actuator is based on a maximum medium differential pressure of 10 bar and a minimum air operating pressure of 6 bar!

All ball valves and actuators in accordance with PED 97/23/EC

The information provided in this document is for general information purposes only and does not constitute advice. ERIKS shall not be liable for any damages resulting from the use of this document, including but not limited to damages caused by any incorrectness or incompleteness of the provided information, unless such damage is the result of any willful misconduct or gross negligence on part of ERIKS.

For more information, a quotation or an order please contact one of our specialists on number +31 (072) 514 18 00

ERIKS bv • P.O. box 280 • 1800 BK Alkmaar • phone (072) 514 15 14 • fax (072) 515 56 45 • info@eriks.nl • www.eriks.nl



Tabel 1: Afmetingen fig. 3204HMF/ASR; maximale werkdruk 10 bar, stuurdruk 6 bar

BSP		1/4"	3/8"	1/2"	3/4"	1"	1.1/4"	1.1/2"	2"
Actuator, type ASR		20	20	20	20	40	40	80	80
Ød	mm	11.6	12.5	12.5	16	20	25	32	38
L	mm	76	76	76	86	99	117	124	148
L2	mm	59	59	59	72	82	95	104	126
K	mm	48	48	48	48	56	56	66	66
P	mm	34	34	34	34	45	45	55	55
M	mm	137	137	137	141	169	174	213	221
N	mm	163	163	163	163	195	195	217	217
weight	kg	2.41	2.41	2.31	2.81	3.98	4.78	7.19	9.39

The information provided in this document is for general information purposes only and does not constitute advice. ERIKS shall not be liable for any damages resulting from the use of this document, including but not limited to damages caused by any incorrectness or incompleteness of the provided information, unless such damage is the result of any willful misconduct or gross negligence on part of ERIKS.

For more information, a quotation or an order please contact one of our specialists on number +31 (072) 514 18 00

ERIKS bv • P.O. box 280 • 1800 BK Alkmaar • phone (072) 514 15 14 • fax (072) 515 56 45 • info@eriks.nl • www.eriks.nl