

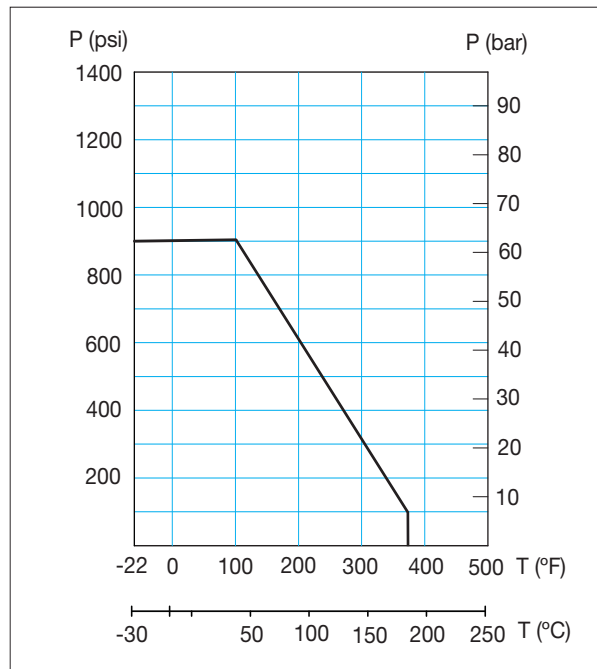
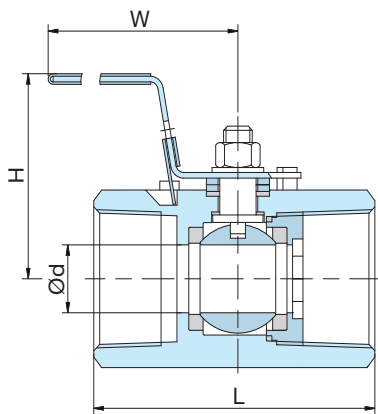


**Stainless steel ball valve RX®  
fig. 3186hexa**  
one-piece, reduced bore, handle operated

hand-operated one-piece stainless steel ball valve with reduced bore and female connection.

- Material body** : stainless steel, GX5CrNiMo19-11-2 (1.4408)
- Screw in element** : stainless steel, GX5CrNiMo19-11-2 (1.4408)
- Ball** : stainless steel, GX5CrNiMo19-11-2 (1.4408)
- Spindle** : stainless steel, X5CrNiMo17-12-2 (1.4401)
- Seats** : 15% RPTFE (glass fibre reinforced PTFE)
- Material spindle gaskets** : 15% RPTFE (glass fibre reinforced PTFE)
- Body seal** : PTFE
- Material handwheel** : stainless steel, X5CrNi18-10 (1.4301), with plastic cover
- Connection** : both sides;
  - BSP female connection as per BS 21
  - NPT female connection as per ANSI B2.1
- Construction** : one-piece cast body with reduced bore
- Operating pressure** : see diagram
- Operating pressure/temp** : see pressure/temperature diagram
- Other characteristics** : - "blow-out proof" spindle design
  - handle locking (padlock not provided)

All ball valves in accordance with PED 97/23/EC



**Tabel 1: Dimensions fig. 3186hexa**

BSP/NPT		1/4"	3/8"	1/2"		1"	1.1/4"	1.1/2"	2"
Ød	mm	5	7	9	12.5	16	20	25	32
L	mm	40	44	57	59	71	78	83	100
H	mm	33	36	37	42	52	56	65	70

The information provided in this document is for general information purposes only and does not constitute advice. ERIKS shall not be liable for any damages resulting from the use of this document, including but not limited to damages caused by any incorrectness or incompleteness of the provided information, unless such damage is the result of any willful misconduct or gross negligence on part of ERIKS.

For more information, a quotation or an order please contact one of our specialists on number +31 (072) 514 18 00

**Tabel 1: Dimensions fig. 3186hexa**

BSP/NPT		1/4"	3/8"	1/2"		1"	1.1/4"	1.1/2"	2"
W	mm	67	67	93	93	103	103	125	125
weight	kg	0.07	0.11	0.18	0.26	0.39	0.59	0.82	1.23

*The information provided in this document is for general information purposes only and does not constitute advice. ERIKS shall not be liable for any damages resulting from the use of this document, including but not limited to damages caused by any incorrectness or incompleteness of the provided information, unless such damage is the result of any willful misconduct or gross negligence on part of ERIKS.*

**For more information, a quotation or an order please contact one of our specialists on number +31 (072) 514 18 00**

ERIKS bv • P.O. box 280 • 1800 BK Alkmaar • phone (072) 514 15 14 • fax (072) 515 56 45 • info@eriks.nl • www.eriks.nl