

**Stainless steel ball valve RX®
fig. 3188HMF**
three-piece, full bore with ISO top flange



three-piece stainless steel ball valve in DIN-ISO overall length with full bore and female connection or welded connection, suitable for direct fitting of actuator

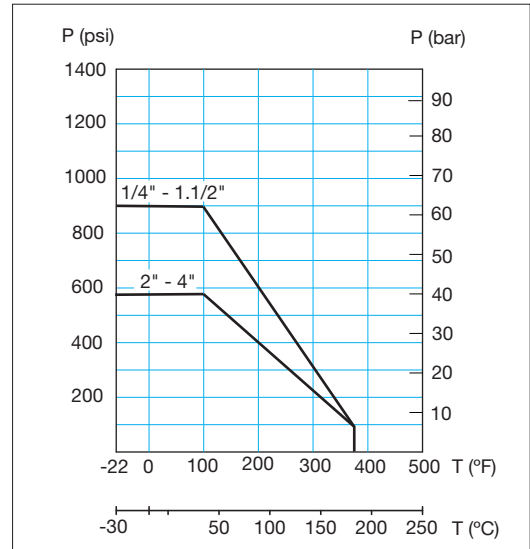
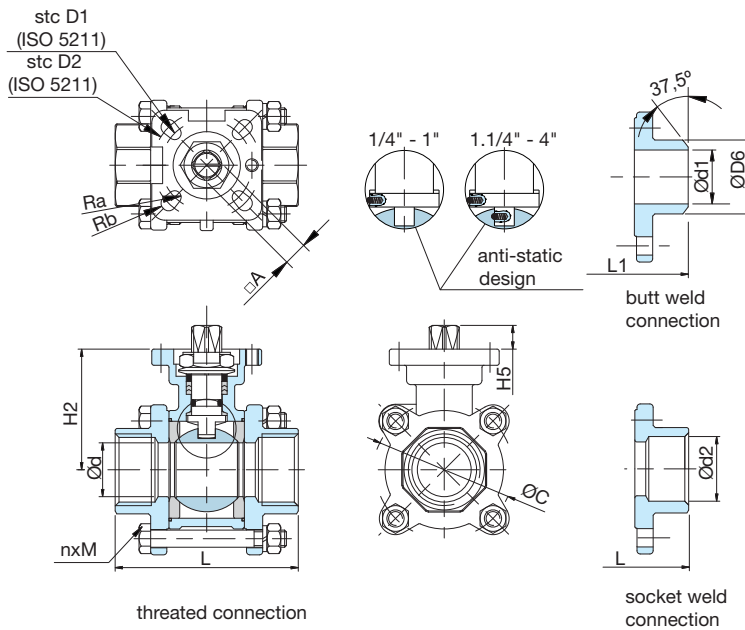
Material body	: stainless steel, GX5CrNiMo19-11-2 (1.4408)
Connection piece	: stainless steel, GX5CrNiMo19-11-2 (1.4408)
Ball	: stainless steel, GX5CrNiMo19-11-2 (1.4408)
Spindle	: stainless steel, X5CrNiMo17-12-2 (1.4401)
Spindle nut	: stainless steel, X5CrNi18-10 (1.4301)
Spindle nut locking ring	: stainless steel, X5CrNi18-10 (1.4301)
Spring washers	: stainless steel, X5CrNi18-10 (1.4301)
Bolts/nuts/circlips	: stainless steel, X5CrNi18-10 (1.4301)
Seats	: 15% RPTFE (glass fibre reinforced PTFE)
Material spindle gaskets	: 15% RPTFE (glass fibre reinforced PTFE)
O-ring	: FPM
Body seal	: PTFE
Connection	: both sides; - BSP female connection as per BS 21 - NPT female connection as per ANSI B2.1 - sleeve weld - butt weld
Overall length	: - female connection and sleeve weld as per DIN 3202 M3 - butt weld as per DIN 3202 S13
Construction	: three-piece cast body with full bore
ISO top flange	: - as per ISO 5211, suitable for the direct fitting of actuators
Operating pressure	: see diagram
Temperature	: see diagram
ATEX 94/9/EC	: EEx II 2 GDcX
Other characteristics	: - self-adjusting spindle sealing - "blow-out proof" spindle design - antistatic
Operation	: - handle; see fig. 3188HMF/MH - pneumatic; spring return, see fig. 3188HMF/ASR - pneumatic; double-acting, see fig. 3188HMF/ADA - electric; see fig. 3188HMF/ER

All ball valves in accordance with PED 97/23/EC

The information provided in this document is for general information purposes only and does not constitute advice. ERIKS shall not be liable for any damages resulting from the use of this document, including but not limited to damages caused by any incorrectness or incompleteness of the provided information, unless such damage is the result of any willful misconduct or gross negligence on part of ERIKS.

For more information, a quotation or an order please contact one of our specialists on number +31 (072) 514 18 00

ERIKS bv • P.O. box 280 • 1800 BK Alkmaar • phone (072) 514 15 14 • fax (072) 515 56 45 • info@eriks.nl • www.eriks.nl



Tabel 1: Dimensions 3188HMF

BSP/NPT		1/4"	3/8"	1/2"	3/4"	1"	1.1/4"	1.1/2"	2"	2.1/2"	3"	4"
Ød (wire and sleeve weld)	mm	10	12.5	15	20	25	32	38	50	65	78	100
L (wire and sleeve weld)	mm	75	75	75	80	90	110	120	140	185	205	240
Ød2 (sleeve weld)	mm	14.1	17.6	21.7	27.1	33.8	42.6	48.7	61.1	76.9	89.8	115.5
Ød1 (butt weld)	mm	10	12.5	16	20	25	33.8	39.5	50.8	62.7	77.9	100
ØD6 (butt weld)	mm	17	17	21.3	26.7	33.6	42.4	48	60.5	76.1	88.9	114.2
L1 (butt weld)	mm	70	70	75	90	100	110	125	150	190	220	270
ØC	mm	52	52	52	54.5	63.5	74.2	84	101	132	161.5	191
n x M		4-5/16"	4-5/16"	4-5/16"	4-5/16"	4-5/16"	4-3/8"	4-3/8"	4-3/8"	4-1/2"	6-1/2"	6-5/8"
H2	mm	42.5	42.5	42.5	45.5	56.0	60.2	76.0	83.0	108.5	117.4	140.0
H5	mm	9	9	9	9	11	11	14	14	17	17	22
A	mm	9	9	9	9	11	11	14	14	17	17	22
torque	Nm	3	3	4	5	7	11	17	21	50	65	70
stc D1 (ISO 5211)		F03	F03	F03	F03	F04	F04	F05	F05	F07	F07	F10
stc D2 (ISO 5211)		F04	F04	F04	F04	F05	F05	F07	F07	F10	F10	F12
Ra	mm	R3	R3	R3	R3	R3	R3	R3.5	R3.5	R4.5	R4.5	R5.75
Rb	mm	R3	R3	R3	R3	R3.5	R3.5	R4.5	R4.5	R5.5	R5.5	R6.75
K _{vs} *	m ³ /h	5	6	9	22	30	40	69	95	267	310	707
weight	kg	0.47	0.44	0.48	0.66	0.89	2.43	2.21	3.26	8.74	11.74	18.45

The information provided in this document is for general information purposes only and does not constitute advice. ERIKS shall not be liable for any damages resulting from the use of this document, including but not limited to damages caused by any incorrectness or incompleteness of the provided information, unless such damage is the result of any willful misconduct or gross negligence on part of ERIKS.

For more information, a quotation or an order please contact one of our specialists on number +31 (072) 514 18 00

ERIKS bv • P.O. box 280 • 1800 BK Alkmaar • phone (072) 514 15 14 • fax (072) 515 56 45 • info@eriks.nl • www.eriks.nl