

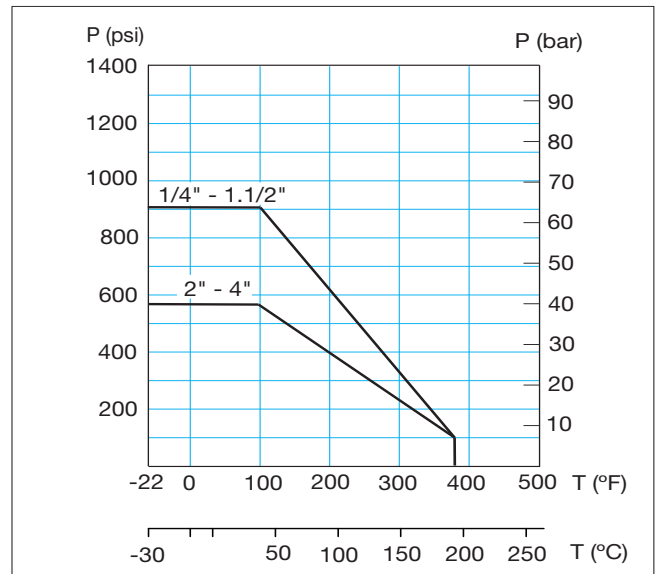
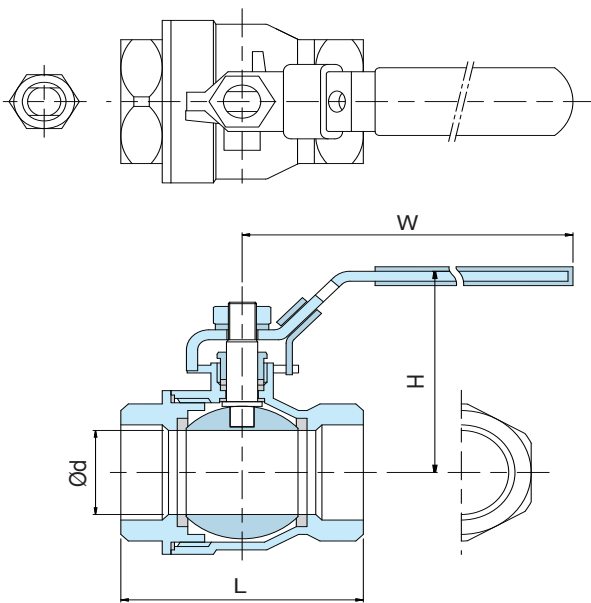


Stainless steel ball valve RX® fig. 3286
two-piece, full bore, handle operated

hand-operated two-piece stainless steel ball valve with full bore and BSP female connection.

- Material body** : stainless steel, GX5CrNiMo19-11-2 (1.4408)
- Ball** : stainless steel, GX5CrNiMo19-11-2 (1.4408)
- Spindle** : stainless steel, X5CrNiMo17-12-2 (1.4401)
- Seats** : 15% RPTFE (glass fibre reinforced PTFE)
- Material spindle gaskets** : 15% RPTFE (glass fibre reinforced PTFE)
- Body seal** : PTFE
- Material handwheel** : stainless steel, X5CrNi18-10 (1.4301), with plastic cover
- Connection** : both sides BSP female connection as per BS 21
- Construction** : two-piece cast body with full bore
- Nom & max op pressure** : see diagram
- Operating pressure/temp** : see pressure/temperature diagram
- Other characteristics** : - "blow-out proof" spindle design
- handle interlocking (exclusive padlock)

All ball valves in accordance with PED 97/23/EC



Tabel 1: Dimensions fig. 3286

BSP		1/4"	3/8"	1/2"	3/4"	1"	1.1/4"	1.1/2"	2"	2.1/2"	3"	4"
Ød	mm	11.6	11.6	15	20	25	32	38	50	65	80	100
L	mm	48	48	58	66	77	90	98	121	145	166	240
H	mm	48	48	52	61	65	79	83	97	135	144	159
W	mm	102	102	102	124	124	152	152	190	252	252	327
weight	kg	0.18	0.19	0.26	0.7	0.59	1.0	1.32	2.46	4.83	7.45	16.1

The information provided in this document is for general information purposes only and does not constitute advice. ERIKS shall not be liable for any damages resulting from the use of this document, including but not limited to damages caused by any incorrectness or incompleteness of the provided information, unless such damage is the result of any willful misconduct or gross negligence on part of ERIKS.

For more information, a quotation or an order please contact one of our specialists on number +31 (072) 514 18 00

ERIKS bv • P.O. box 280 • 1800 BK Alkmaar • phone (072) 514 15 14 • fax (072) 515 56 45 • info@eriks.nl • www.eriks.nl