



**Stainless steel three-way ball valve RX®
fig. 3204HMF/MH**
four seats, reduced bore and handle-operated

fig. 3204HMF-T/MH: T port

fig. 3204HMF-T/MH: L port

stainless steel three-way ball valve with reduced bore and female connection with T or L port and hand-operation, suitable for automation

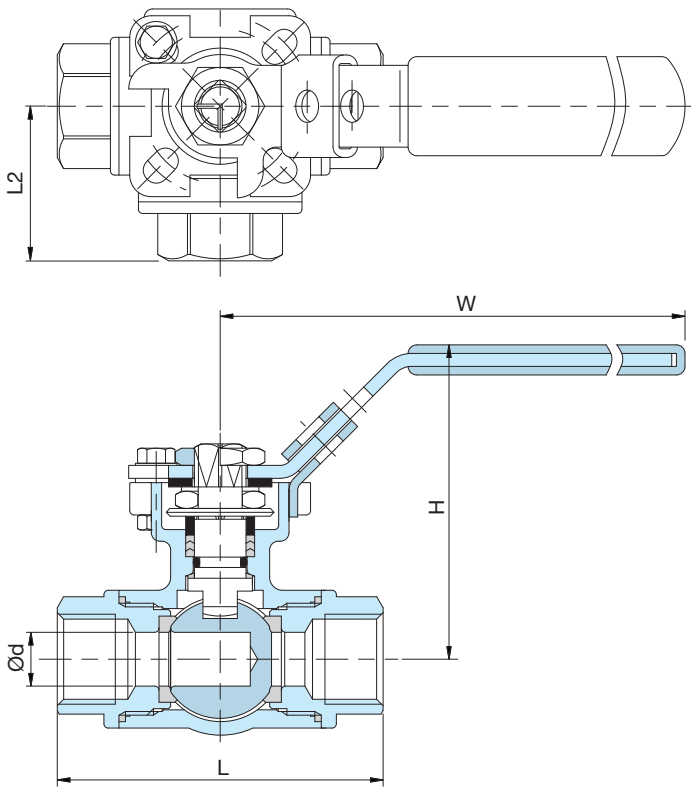
Ball valve	: fig. 3204HMF
Material body	: stainless steel, GX5CrNiMo19-11-2 (1.4408)
Connection piece	: stainless steel, GX5CrNiMo19-11-2 (1.4408)
Ball	: stainless steel, GX5CrNiMo19-11-2 (1.4408)
Spindle	: stainless steel, X5CrNiMo17-12-2 (1.4401)
Seats	: 15% RPTFE (glass fibre reinforced PTFE)
Material spindle gaskets	: 15% RPTFE (glass fibre reinforced PTFE)
O-ring	: FPM
Body seals	: PTFE
Connection	: three sides BSP female connection as per BS 21
Construction	: three-way cast body with reduced bore
Nom & max op pressure	: see diagram
Operating pressure/temp	: see pressure/temperature diagram
Operation	: handle
Material	: stainless steel, X5CrNi18-10 (1.4301), with plastic cover
Position interlocking	: open and closed position (exclusive padlock)
Other characteristics	: - self-adjusting spindle sealing - "blow-out proof" spindle design - ISO 5211 top flange, suitable for the direct fitting of actuators

All ball valves in accordance with PED 97/23/EC

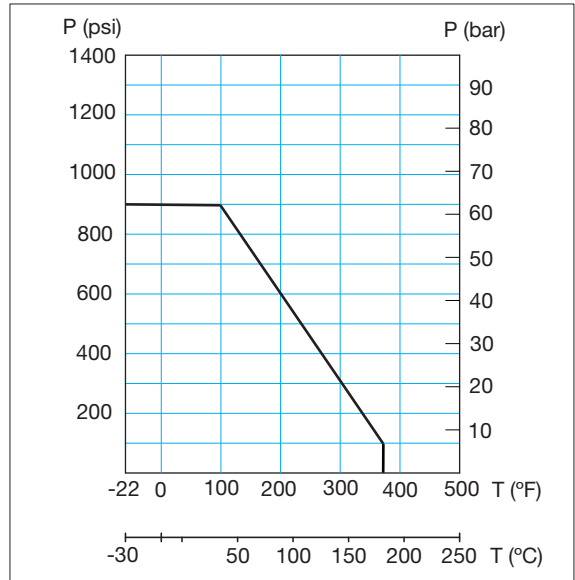
The information provided in this document is for general information purposes only and does not constitute advice. ERIKS shall not be liable for any damages resulting from the use of this document, including but not limited to damages caused by any incorrectness or incompleteness of the provided information, unless such damage is the result of any willful misconduct or gross negligence on part of ERIKS.

For more information, a quotation or an order please contact one of our specialists on number +31 (072) 514 18 00

ERIKS bv • P.O. box 280 • 1800 BK Alkmaar • phone (072) 514 15 14 • fax (072) 515 56 45 • info@eriks.nl • www.eriks.nl



conn. type	1	2	3	4
L				
T				



Tabel 1: Dimensions fig. 3204HMF/MH

BSP		1/4"	3/8"	1/2"	3/4"	1"	1.1/4"	1.1/2"	2"
Ød	mm	11.6	12.5	12.5	16	20	25	32	38
L	mm	76	76	76	86	99	117	124	148
L2	mm	59	59	59	72	82	95	104	126
H	mm	73	73	73	74	87	93	110	119
W	mm	123	123	123	123	152	152	182	182
weight	kg	0.9	0.85	0.8	1.25	1.75	2.54	3.65	5.9

The information provided in this document is for general information purposes only and does not constitute advice. ERIKS shall not be liable for any damages resulting from the use of this document, including but not limited to damages caused by any incorrectness or incompleteness of the provided information, unless such damage is the result of any willful misconduct or gross negligence on part of ERIKS.

For more information, a quotation or an order please contact one of our specialists on number +31 (072) 514 18 00

ERIKS bv • P.O. box 280 • 1800 BK Alkmaar • phone (072) 514 15 14 • fax (072) 515 56 45 • info@eriks.nl • www.eriks.nl