



**Electrically operated butterfly valve RX®
fig. 705X/ER
wafer type**

wafer type butterfly valve with rubber seat and electric actuator, suitable for water, neutral liquids and HEVAC

Butterfly valve	: fig. 705X
Material body	: ductile cast iron (GJS 400-15)
Material disc	: stainless steel 316 (GX5CrNiMo19-11-2)
Material shaft	: stainless steel 316 (X5CrNiMo17-12-2)
Material seat	: EPDM
Process connection	: installation between (welding neck) flanges PN10/16 and ANSI 150 lbs
Overall length	: according to EN 558, table 1/20 (formerly DIN 3201-K1)
Maximum operating pressure	: 16 bar
Temperature range	: -20 °C to +120 °C
Body coating	: epoxy
Actuator	: RX® type ER.00
Supply voltage	: DC and AC as required; see Table 2
Running time	: 90° travel time; see Table 2
Material body	: nylon GF6.6
Material cover	: ABS
Material screws	: stainless steel
Control	: - open/closed, relay - 3-points modulating
Limit switches	: micro switches, 250V AC, 5A; - x 2 for motor connections - x 2 suitable for position feedback
Duty cycle	: 50%
Temperature range	: -10 °C to +55 °C
Enclosure protection	: IP65
Position indicator	: removable plastic position indicator on continuous drive shaft
Manual override	: on continuous drive shaft; - ER10-20; T grip (provided) - ER35-60-100; with adjustable spanner (not provided)

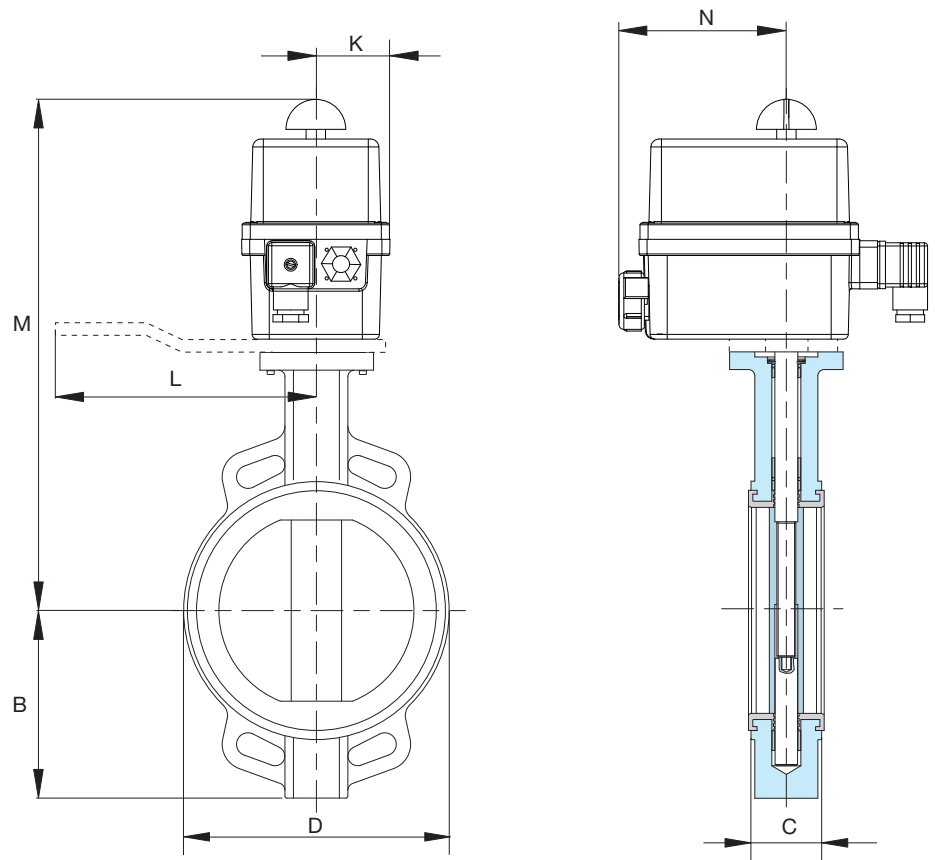
* The selection of the actuator is based on a maximum differential pressure of **10 bar!**

For larger sizes see fig. 705X/VS and fig. 705X/VT.
Butterfly valves in accordance with PED 97/23/EC

The information provided in this document is for general information purposes only and does not constitute advice. ERIKS shall not be liable for any damages resulting from the use of this document, including but not limited to damages caused by any incorrectness or incompleteness of the provided information, unless such damage is the result of any willful misconduct or gross negligence on part of ERIKS.

For more information, a quotation or an order please contact one of our specialists on number +31 (072) 514 18 00

ERIKS bv • P.O. box 280 • 1800 BK Alkmaar • phone (072) 514 15 14 • fax (072) 515 56 45 • info@eriks.nl • www.eriks.nl



Tabel 1: Dimensions fig. 705X/ER; maximum operating pressure 10 bar

DN	Butterfly valve			Electrical connection						Weight kg
	C mm	B mm	D mm	fitting	actuator	K mm	L* mm	M* mm	N mm	
50	43	62	92	direct	ER20	46	180	293	104	3.6
65	46	73	104	direct	ER35	64	200	334	109	5.7
80	46	86	122	direct	ER35	64	200	340	109	6.4
100	52	106	152	direct	ER60	64	200	358	109	7.8
125	56	122	178	direct	ER100	64	200	366	109	9.6

* Handle, type ERP is optional.

Dimension M with handle, type ERP:

- for ER10-20; + 4 mm

- for ER35-60-100; + 5 mm

Tabel 2: Electrical data fig. 705X/ER

DN	Actuator	Control voltage	Power	Running time
			W	s
50	ER20	100-240V AC	15	20
		24V AC/DC	15	20
65/80	ER35	100-240V AC	15	35

* shorter execution on request

The information provided in this document is for general information purposes only and does not constitute advice. ERIKS shall not be liable for any damages resulting from the use of this document, including but not limited to damages caused by any incorrectness or incompleteness of the provided information, unless such damage is the result of any willful misconduct or gross negligence on part of ERIKS.

For more information, a quotation or an order please contact one of our specialists on number +31 (072) 514 18 00

ERIKS bv • P.O. box 280 • 1800 BK Alkmaar • phone (072) 514 15 14 • fax (072) 515 56 45 • info@eriks.nl • www.eriks.nl

Tabel 2: Electrical data fig. 705X/ER

<i>DN</i>	<i>Actuator</i>	<i>Control voltage</i>	<i>Power</i>	<i>Running time</i>
			<i>W</i>	<i>s</i>
		24V AC/DC	15	35
100	ER60*	100-240V AC	15	60
		24V AC/DC	15	60
125	ER100*	100-240V AC	15	100
		24V AC/DC	15	100

* shorter execution on request