



Fig. 705X/VS

**Electrically operated butterfly valve RX®
fig. 705X/VS**
wafer type, with hand operation

wafer type butterfly valve with rubber seat and electric actuator, suitable for water, neutral liquids and HEVAC

Butterfly valve	: fig. 705X
Material body	: ductile cast iron (GJS 400-15)
Material disc	: stainless steel 316 (GX5CrNiMo19-11-2)
Material shaft	: stainless steel 316 (X5CrNiMo17-12-2)
Material seat	: EPDM
Process connection	: installation between (welding neck) flanges PN10/16 and ANSI 150 lbs
Overall length	: according to EN 558, table 1/20 (formerly DIN 3201-K1)
Maximum operating pressure	: up to DN200; 16 bar*
Temperature range	: -20 °C to +120 °C
Body coating	: epoxy
Actuator	: RX® type VS.00
Supply voltage	: DC and AC as required; see Table 2
Running time	: 90° travel time; see Table 2
Angle of rotation	: 90°
Material body	: aluminium epoxy coated
Cover	: ABS
Screws	: stainless steel
Control	: - open/closed relay - 3-points modulating
Limit switches	: micro switches, 250V AC, 5A; - x 2 for motor connections - x 2 suitable for position feedback
Condensation protection	: integrated in electronics; 4W (not for 400V, three-phase design)
Switch on duration (CEI34)	: S4-50%
Temperature range	: -20 °C to +70 °C
Enclosure protection	: IP67
Position indicator	: large position indicator with status indication integrated into cover
Hand operation	: removable handwheel

* The selection of the actuator is based on a maximum differential pressure of **10 bar!**

For smaller sizes see fig. 705X/ER.

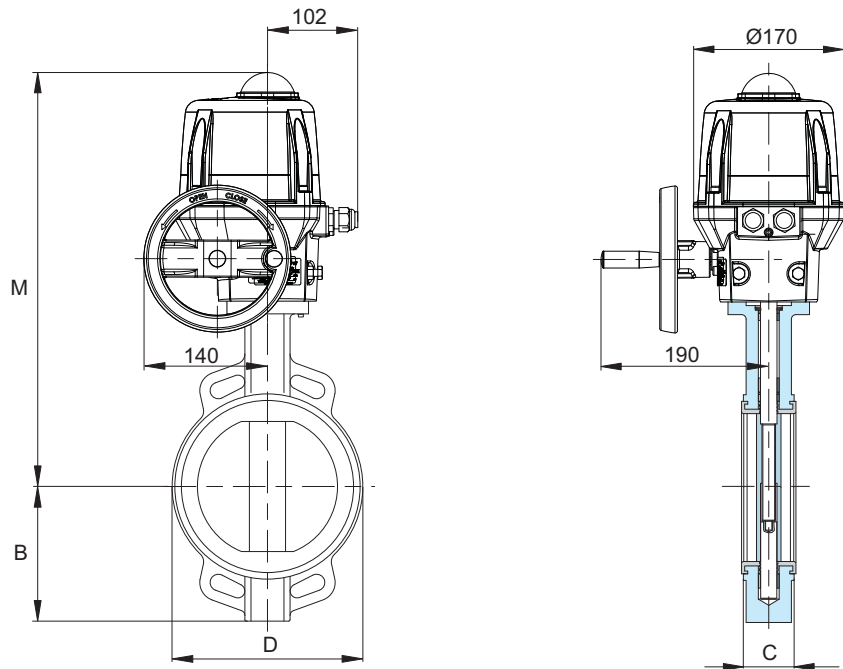
For larger sizes see fig. 705X/VT.

Butterfly valves in accordance with PED 97/23/EC

The information provided in this document is for general information purposes only and does not constitute advice. ERIKS shall not be liable for any damages resulting from the use of this document, including but not limited to damages caused by any incorrectness or incompleteness of the provided information, unless such damage is the result of any willful misconduct or gross negligence on part of ERIKS.

For more information, a quotation or an order please contact one of our specialists on number +31 (072) 514 18 00

ERIKS bv • P.O. box 280 • 1800 BK Alkmaar • phone (072) 514 15 14 • fax (072) 515 56 45 • info@eriks.nl • www.eriks.nl



Tabel 1: Dimensions fig. 705X/VS; maximum operating pressure 10 bar

DN	Butterfly valve			Electrical connection			Weight kg
	C mm	B Mm	D mm	Fitting	Actuator	M* mm	
150	56	137	200	Direct	VS150	459	12.4
200	60	174	266	Direct	VS300	513	18.0

* Required free space above the actuator with respect to (dis)assembly: 105 mm

Tabel 2: Electrical data fig. 705X/VS

DN	Actuator	Control voltage	Power W	Running time s
150	VS150	100-240V AC	85	30
		24V AC/DC	85	30
		400V-3f	135	20
200	VS300	100-240V AC	85	50
		24V AC/DC	85	50
		400V-3f	135	35

The information provided in this document is for general information purposes only and does not constitute advice. ERIKS shall not be liable for any damages resulting from the use of this document, including but not limited to damages caused by any incorrectness or incompleteness of the provided information, unless such damage is the result of any willful misconduct or gross negligence on part of ERIKS.

For more information, a quotation or an order please contact one of our specialists on number +31 (072) 514 18 00

ERIKS bv • P.O. box 280 • 1800 BK Alkmaar • phone (072) 514 15 14 • fax (072) 515 56 45 • info@eriks.nl • www.eriks.nl