



**Electrically operated butterfly valve RX®  
fig. 706X/ER  
lug type**

full lug type butterfly valve with rubber seat and electric actuator, suitable for water, neutral liquids and HEVAC

<b>Butterfly valve</b>	: fig. 706X
<b>Material body</b>	: ductile cast iron (GJS 400-15)
<b>Material disc</b>	: stainless steel 316 (GX5CrNiMo19-11-2)
<b>Material shaft</b>	: stainless steel 316 (X5CrNiMo17-12-2)
<b>Material seat</b>	: EPDM
<b>Process connection</b>	: installation between (welding neck) flanges PN10/16
<b>Overall length</b>	: according to EN 558, table 1/20 (formerly DIN 3201-K1)
<b>Maximum operating pressure</b>	: 16 bar*
<b>Temperature range</b>	: -20 °C to +120 °C
<b>Body coating</b>	: epoxy
<b>Actuator</b>	: RX® type ER.00
<b>Supply voltage</b>	: DC and AC as required; see Table 2
<b>Running time</b>	: 90° travel time; see Table 2
<b>Body</b>	: nylon GF6.6
<b>Material cover</b>	: ABS
<b>Material screws</b>	: stainless steel
<b>Control</b>	: - open/closed, relay - 3-points modulating
<b>Limit switches</b>	: micro switches, 250V AC, 5A; - x 2 for motor connections - x 2 suitable for position feedback
<b>Duty cycle</b>	: 50%
<b>Temperature range</b>	: -10 °C to +55 °C
<b>Enclosure protection</b>	: IP65
<b>Position indicator</b>	: removable plastic position indicator on continuous drive shaft
<b>Manual override</b>	: on continuous drive shaft; - ER10-20; T grip (provided) - ER35-60-100; with adjustable spanner (not provided)

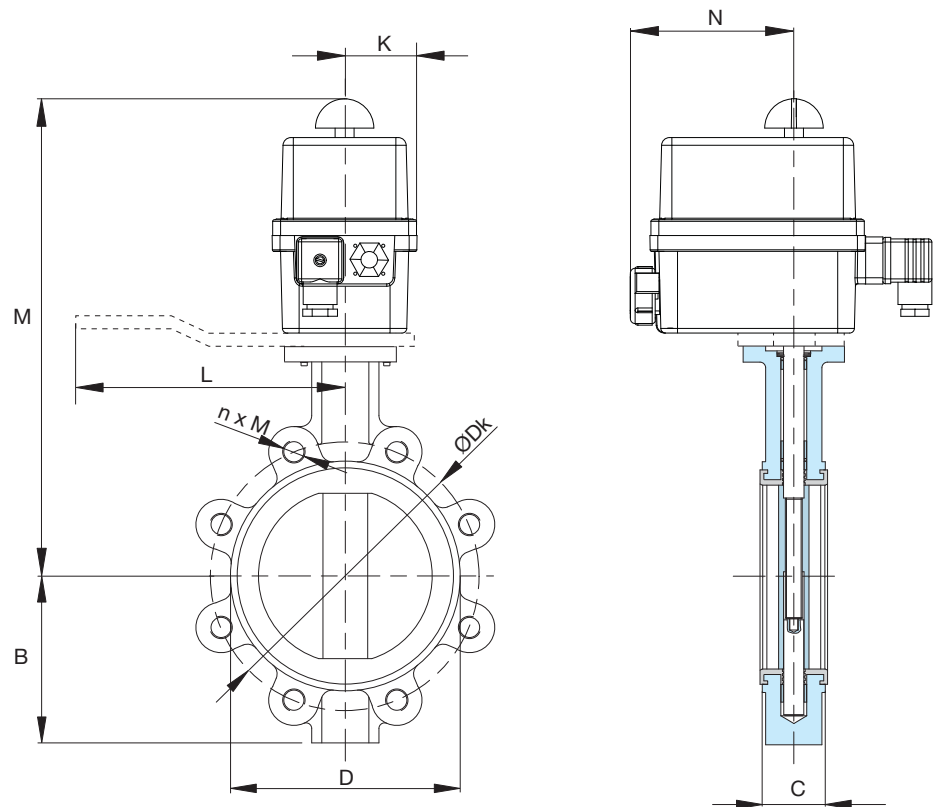
\* The selection of the actuator is based on a maximum differential pressure of **10 bar!**

For larger sizes see fig. 706X/VS and fig. 706X/VT.  
Butterfly valves in accordance with PED 97/23/EC

The information provided in this document is for general information purposes only and does not constitute advice. ERIKS shall not be liable for any damages resulting from the use of this document, including but not limited to damages caused by any incorrectness or incompleteness of the provided information, unless such damage is the result of any willful misconduct or gross negligence on part of ERIKS.

For more information, a quotation or an order please contact one of our specialists on number +31 (072) 514 18 00

ERIKS bv • P.O. box 280 • 1800 BK Alkmaar • phone (072) 514 15 14 • fax (072) 515 56 45 • info@eriks.nl • www.eriks.nl



**Tabel 1: Dimensions fig. 706X/ER; maximum operating pressure 10 bar**

DN	Butterfly valve					Electrical connection						Weight kg
	C mm	B mm	D mm	nxM	ØDk mm	fitting	actuator	K mm	L* mm	M* mm	N mm	
50	43	62	93	4xM16	125	direct	ER20	46	180	293	104	4.4
65	46	72	104	4xM16	145	direct	ER35	64	200	334	109	6.7
80	46	87	121	8xM16	160	direct	ER35	64	200	340	109	8.1
100	52	106	152	8xM16	180	direct	ER60	64	200	358	109	10.1
125	56	121	178	8xM16	210	direct	ER100	64	200	366	109	12.4

\* Handle, type ERP is optional.

Dimension M with handle, type ERP:

- for ER10-20; + 4 mm

- for ER35-60-100; + 5 mm

**Tabel 2: Electrical data fig. 706X/ER**

DN	Actuator	Control voltage	Power W	Execution s
50	ER20	100-240V AC	15	20
		24V AC/DC	15	20
65/80	ER35	100-240V AC	15	35

\* shorter execution on request

The information provided in this document is for general information purposes only and does not constitute advice. ERIKS shall not be liable for any damages resulting from the use of this document, including but not limited to damages caused by any incorrectness or incompleteness of the provided information, unless such damage is the result of any willful misconduct or gross negligence on part of ERIKS.

**For more information, a quotation or an order please contact one of our specialists on number +31 (072) 514 18 00**

ERIKS bv • P.O. box 280 • 1800 BK Alkmaar • phone (072) 514 15 14 • fax (072) 515 56 45 • info@eriks.nl • www.eriks.nl

**Tabel 2: Electrical data fig. 706X/ER**

<i>DN</i>	<i>Actuator</i>	<i>Control voltage</i>	<i>Power</i>	<i>Execution</i>
			<i>W</i>	<i>s</i>
		24V AC/DC	15	35
100	ER60*	100-240V AC	15	60
		24V AC/DC	15	60
125	ER100*	100-240V AC	15	100
		24V AC/DC	15	100

\* shorter execution on request