



Fig. 706X/VS

**Electrically operated butterfly valve RX®  
fig. 706X/VS**  
lug type, with hand operation

full lug type butterfly valve with rubber seat and electric actuator, suitable for water, neutral liquids and HEVAC

<b>Butterfly valve</b>	: fig. 706X
<b>Material body</b>	: ductile cast iron (GJS 400-15)
<b>Material disc</b>	: stainless steel 316 (GX5CrNiMo19-11-2)
<b>Material shaft</b>	: stainless steel 316 (X5CrNiMo17-12-2)
<b>Material seat</b>	: EPDM
<b>Process connection</b>	: installation between (welding neck) flanges - DN150; PN10/16 - DN200; PN10
<b>Overall length</b>	: according to EN 558, table 1/20 (formerly DIN 3201-K1)
<b>Maximum operating pressure</b>	: - DN150; 16 bar* - DN200; 10 bar
<b>Temperature range</b>	: -20 °C to +120 °C
<b>Body coating</b>	: epoxy
<b>Actuator</b>	: RX® type VS.00
<b>Supply voltage</b>	: DC and AC as required; see Table 2
<b>Running time</b>	: 90° travel time; see Table 2
<b>Angle of rotation</b>	: 90°
<b>Material body</b>	: aluminium epoxy coated
<b>Cover</b>	: ABS
<b>Screws</b>	: stainless steel
<b>Control</b>	: - open/closed relay - 3-points modulating
<b>Limit switches</b>	: micro switches, 250V AC, 5A; - x 2 for motor connections - x 2 suitable for position feedback
<b>Condensation protection</b>	: integrated in electronics; 4W (not for 400V, three-phase design)
<b>Duty rating (CEI34)</b>	: S4-50%
<b>Temperature range</b>	: -20 °C to +70 °C
<b>Enclosure protection</b>	: IP67
<b>Position indicator</b>	: large position indicator with status indication integrated into cover
<b>Hand operation</b>	: removable hand wheel

\* The selection of the actuator is based on a maximum differential pressure of **10 bar!**

For smaller sizes see fig. 706X/ER.

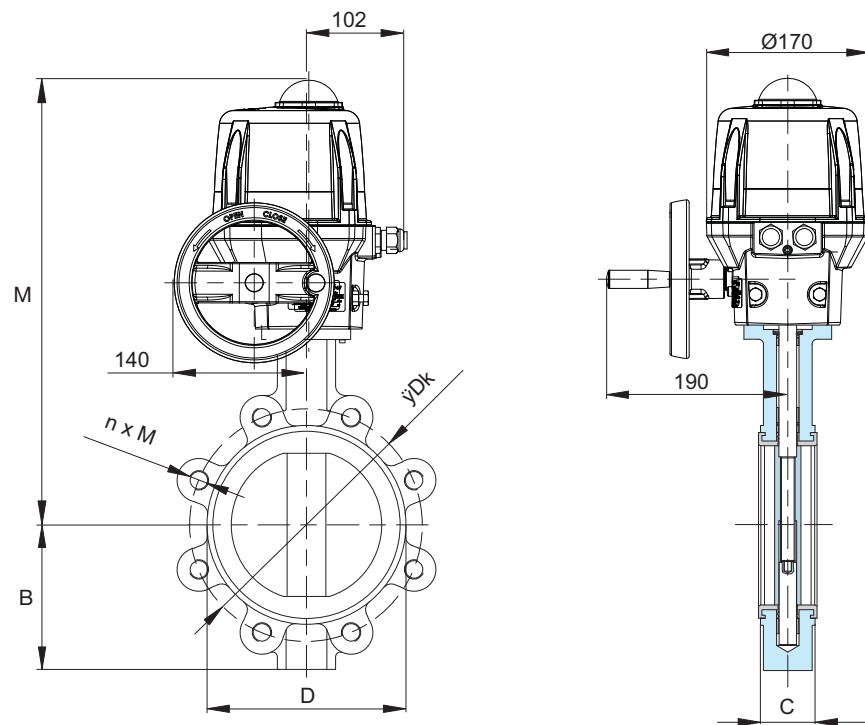
For larger sizes see fig. 706X/VT.

Butterfly valves in accordance with PED 97/23/EC

The information provided in this document is for general information purposes only and does not constitute advice. ERIKS shall not be liable for any damages resulting from the use of this document, including but not limited to damages caused by any incorrectness or incompleteness of the provided information, unless such damage is the result of any willful misconduct or gross negligence on part of ERIKS.

For more information, a quotation or an order please contact one of our specialists on number +31 (072) 514 18 00

ERIKS bv • P.O. box 280 • 1800 BK Alkmaar • phone (072) 514 15 14 • fax (072) 515 56 45 • info@eriks.nl • www.eriks.nl



**Tabel 1: Dimensions fig. 706X/VS; maximum operating pressure 10 bar**

DN	Butterfly valve					Electrical connection			Weight kg
	C mm	B mm	D mm	nxM	ØDk mm	fitting	actuator	M* mm	
150	56	138	200	8xM20	240	direct	VS150	459	16,2
200	60	174	260	8xM20	295	direct	VS300	513	22,3

\* Required free space above the actuator with respect to (dis)assembly: 105 mm

**Tabel 2: Electrical data fig. 706X/VS**

DN	Actuator	Control voltage	Power	Execution
			W	s
150	VS150	100-240V AC	85	30
		24V AC/DC	85	30
		400V-3f	135	20
200	VS300	100-240V AC	85	50
		24V AC/DC	85	50
		400V-3f	135	35

The information provided in this document is for general information purposes only and does not constitute advice. ERIKS shall not be liable for any damages resulting from the use of this document, including but not limited to damages caused by any incorrectness or incompleteness of the provided information, unless such damage is the result of any willful misconduct or gross negligence on part of ERIKS.

For more information, a quotation or an order please contact one of our specialists on number +31 (072) 514 18 00

ERIKS bv • P.O. box 280 • 1800 BK Alkmaar • phone (072) 514 15 14 • fax (072) 515 56 45 • info@eriks.nl • www.eriks.nl