

**Electrically operated butterfly valve RX®
fig. 706X/VT**
lug type, with hand operation

full lug type butterfly valve with rubber seat and electric actuator, suitable for water, neutral liquids and HEVAC



Butterfly valve	: fig. 706X
Material body	: ductile cast iron (GJS 400-15)
Material disc	: stainless steel 316 (GX5CrNiMo19-11-2)
Material shaft	: stainless steel 316 (X5CrNiMo17-12-2)
Material seat	: EPDM
Process connection	: installation between (welding neck) flanges; PN10
Overall length	: according to EN 558, table 1/20 (formerly DIN 3201-K1)
Maximum operating pressure	: 10 bar
Temperature range	: -20 °C to +120 °C
Body coating	: epoxy
Actuator	: RX® type VT.00
Supply voltage	: DC and AC as required; see Table 2
Execution	: 90° travel time; see Table 2
Angle of rotation	: 90°
Material body	: aluminium epoxy coated
Cover	: ABS
Screws	: stainless steel
Control	: - open/closed relay - 3-points modulating
Limit switches	: micro switches, 250V AC, 5A; - x 2 for motor connections - x 2 suitable for position feedback
Condensation protection	: 10W
Torque protection	: open and closed position by means of torque-dependent limit switches.
Duty rating (CEI34)	: S4-50%
Temperature range	: -20 °C to +70 °C
Enclosure protection	: IP67
Position indicator	: large position indicator with status indication integrated into cover
Hand operation	: removable hand wheel

For smaller sizes see fig. 706X/ER and fig. 706X/VS.

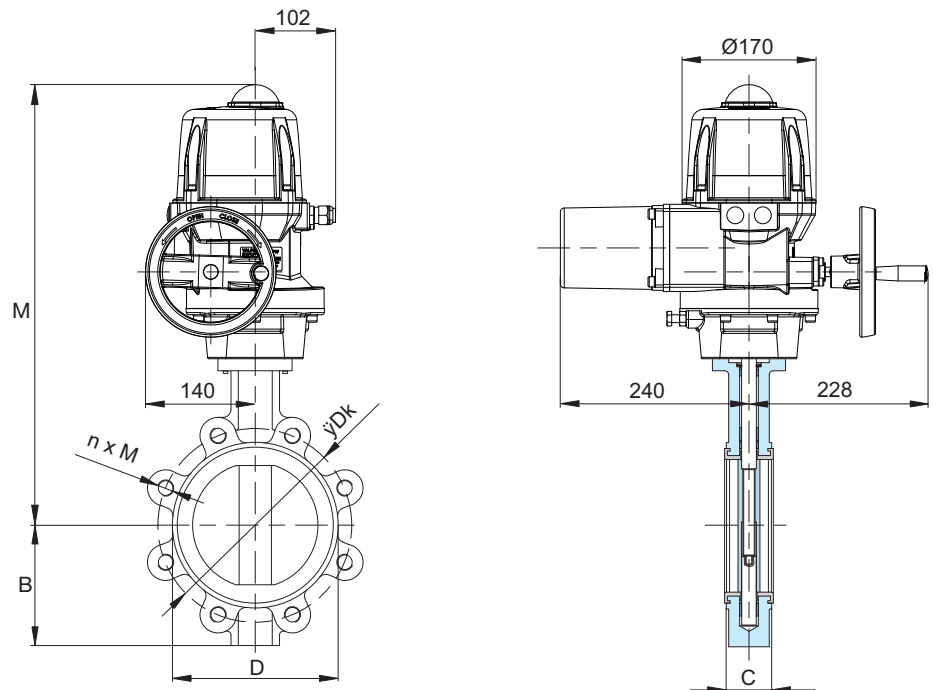
Larger sizes on request

Butterfly valves in accordance with PED 97/23/EC

The information provided in this document is for general information purposes only and does not constitute advice. ERIKS shall not be liable for any damages resulting from the use of this document, including but not limited to damages caused by any incorrectness or incompleteness of the provided information, unless such damage is the result of any willful misconduct or gross negligence on part of ERIKS.

For more information, a quotation or an order please contact one of our specialists on number +31 (072) 514 18 00

ERIKS bv • P.O. box 280 • 1800 BK Alkmaar • phone (072) 514 15 14 • fax (072) 515 56 45 • info@eriks.nl • www.eriks.nl



Tabel 1: Dimensions fig. 706X/VT; maximum operating pressure 10 bar

Butterfly valve						Electrical connection			Weight
DN	C	B	D	nxM	ØDk	fitting	actuator	M*	kg
	mm	mm	mm		mm			mm	
250	68	207	315	12xM20	350	direct	VT600	645	49,2
300	78	250	374	12xM20	400	direct	VT600	681	66,2

* Required free space above the actuator with respect to (dis)assembly: 105 mm

Tabel 2: Electrical data fig. 706X/VT

DN	Actuator	Control voltage	Power	Execution
			W	s
250	VT600	230V AC	250	38
		400V-3f	250	38
300	VT600	230V AC	250	38
		400V-3f	250	38

The information provided in this document is for general information purposes only and does not constitute advice. ERIKS shall not be liable for any damages resulting from the use of this document, including but not limited to damages caused by any incorrectness or incompleteness of the provided information, unless such damage is the result of any willful misconduct or gross negligence on part of ERIKS.

For more information, a quotation or an order please contact one of our specialists on number +31 (072) 514 18 00

ERIKS bv • P.O. box 280 • 1800 BK Alkmaar • phone (072) 514 15 14 • fax (072) 515 56 45 • info@eriks.nl • www.eriks.nl