



**Pneumatic operated butterfly valve RX®  
fig. 706X/ASR**  
lug type, single-acting, spring return

full lug type butterfly valve with rubber seat and single-acting pneumatic actuator, suitable for water, neutral liquids and HEVAC

<b>Butterfly valve</b>	: fig. 706X
<b>Material body</b>	: ductile cast iron (GJS 400-15)
<b>Material disc</b>	: stainless steel 316 (GX5CrNiMo19-11-2)
<b>Material shaft</b>	: stainless steel 316 (X5CrNiMo17-12-2)
<b>Material seat</b>	: EPDM
<b>Process connection</b>	: installation between (welding neck) flanges - up to DN150; PN10/16 - DN200 up to DN300; PN10
<b>Overall length</b>	: according to EN 558, table 1/20 (formerly DIN 3201-K1)
<b>Maximum operating pressure</b>	: - up to DN150; 16 bar* - DN200 up to DN300; 10 bar
<b>Temperature range</b>	: -20 °C to +120 °C
<b>Body coating</b>	: epoxy
<b>Actuator</b>	: RX® type ASR
<b>Function</b>	: single-acting, spring return
<b>Material body</b>	: aluminium hard anodised
<b>Material covers</b>	: aluminium epoxy coated
<b>Material cover bolts</b>	: stainless steel A2-70
<b>Material position indicator</b>	: Polyamide
<b>Max air operating pressure</b>	: 8 bar
<b>Temperature range</b>	: -30 °C to +80 °C

\* Selection of the actuator is based on a maximum medium differential pressure of **10 bar** and a minimum air operating pressure of **6 bar**!

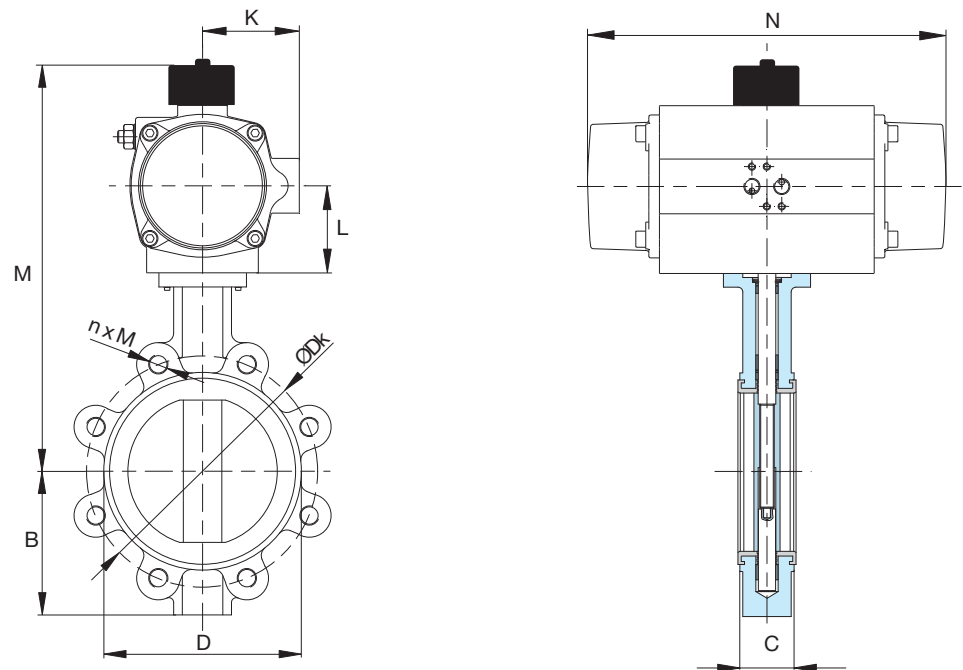
*Larger sizes on request.*

*Butterfly valves in accordance with PED 97/23/EC*

*The information provided in this document is for general information purposes only and does not constitute advice. ERIKS shall not be liable for any damages resulting from the use of this document, including but not limited to damages caused by any incorrectness or incompleteness of the provided information, unless such damage is the result of any willful misconduct or gross negligence on part of ERIKS.*

**For more information, a quotation or an order please contact one of our specialists on number +31 (072) 514 18 00**

ERIKS bv • P.O. box 280 • 1800 BK Alkmaar • phone (072) 514 15 14 • fax (072) 515 56 45 • info@eriks.nl • www.eriks.nl



**Tabel 1: Dimensions fig. 706X/ASR; maximum operating pressure 10 bar, air operating pressure 6 bar**

DN	Butterfly valve					fitting	Pneumatic actuator					Weight kg
	C mm	B mm	D mm	nxM	ØDk mm		actuator	K mm	L mm	M mm	N mm	
50	43	62	93	4xM16	125	direct	ASR 80	66	55	278	217	6.9
65	46	72	104	4xM16	145	direct	ASR 80	66	55	291	217	7.4
80	46	87	121	8xM16	160	direct	ASR 80	66	55	297	217	8.8
100	52	106	152	8xM16	180	direct	ASR 130	71	60	325	258	11.9
125	56	121	178	8xM16	210	direct	ASR 130	71	60	338	258	14.4
150	56	138	200	8xM16	240	direct	ASR 200	78	70	366	299	17.9
200	60	174	260	8xM16	295	direct	ASR 500	96	85	446	397	32.1
250	68	207	315	12xM20	350	direct	ASR 850	106	98	509	473	51.4
300	78	250	374	12xM20	400	direct	ASR 1750	131	130	619	601	92.9

\* Selection of actuator is determined by torques based on liquids.  
For other applications please seek the advice of ERIKS

The information provided in this document is for general information purposes only and does not constitute advice. ERIKS shall not be liable for any damages resulting from the use of this document, including but not limited to damages caused by any incorrectness or incompleteness of the provided information, unless such damage is the result of any willful misconduct or gross negligence on part of ERIKS.

For more information, a quotation or an order please contact one of our specialists on number +31 (072) 514 18 00

ERIKS bv • P.O. box 280 • 1800 BK Alkmaar • phone (072) 514 15 14 • fax (072) 515 56 45 • info@eriks.nl • www.eriks.nl