



**Pneumatic-operated butterfly valve RX®
fig. 705X/ASR**
wafer type, single-acting, spring return

full wafer type butterfly valve with rubber seat and single-acting pneumatic actuator, suitable for water, neutral liquids and HEVAC

Butterfly valve	: fig. 705X
Material body	: ductile cast iron (GJS 400-15)
Material disc	: stainless steel 316 (GX5CrNiMo19-11-2)
Material shaft	: stainless steel 316 (X5CrNiMo17-12-2)
Material seat	: EPDM
Process connection	: installation between (welding neck) flanges PN10/16 and ANSI 150 lbs
Overall length	: according to EN 558, table 1/20 (formerly DIN 3201-K1)
Maximum operating pressure	: - up to DN200; 16 bar* - DN250 and DN300; 10 bar
Temperature range	: -20 °C to +120 °C
Body coating	: epoxy
Actuator	: RX® type ASR
Function	: single-acting, spring-return
Material body	: aluminium hard anodised
Material covers	: aluminium epoxy-coated
Material cover bolts	: SS A2-70
Material position indicator	: Polyamide
Maximum control pressure	: 8 bar*
Temperature range	: -30 °C to +80 °C

* Selection of the actuator is based on a maximum medium differential pressure of **10 bar** and a minimum control pressure of **6 bar!**

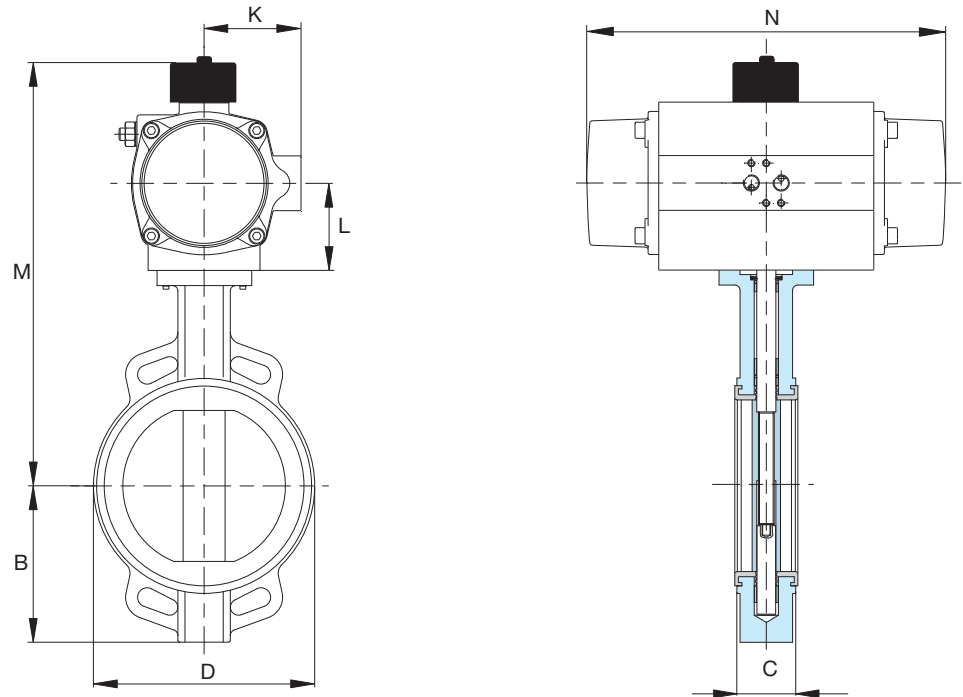
Larger sizes on request.

Butterfly valves in accordance with PED 97/23/EC.

The information provided in this document is for general information purposes only and does not constitute advice. ERIKS shall not be liable for any damages resulting from the use of this document, including but not limited to damages caused by any incorrectness or incompleteness of the provided information, unless such damage is the result of any willful misconduct or gross negligence on part of ERIKS.

For more information, a quotation or an order please contact one of our specialists on number +31 (072) 514 18 00

ERIKS bv • P.O. box 280 • 1800 BK Alkmaar • phone (072) 514 15 14 • fax (072) 515 56 45 • info@eriks.nl • www.eriks.nl



Tabel 1: Dimensions fig. 705X/ASR; maximum operating pressure 10 bar, control pressure 6 bar

DN	Butterfly valve			Pneumatic actuator						Weight kg
	C mm	B mm	D mm	fitting	actuator	K Mm	L mm	M mm	N mm	
50	43	62	92	direct	ASR 80	66	55	278	217	6.1
65	46	73	104	direct	ASR 80	66	55	291	217	6.4
80	46	86	122	direct	ASR 80	66	55	297	217	7.1
100	52	106	152	direct	ASR 130	71	60	325	258	9.6
125	56	122	178	direct	ASR 130	71	60	338	258	11.6
150	56	137	200	direct	ASR 200	78	70	366	299	14.1
200	60	174	266	direct	ASR 500	96	85	446	397	27.7
250	68	207	316	direct	ASR 850	106	98	509	473	44.4
300	78	252	366	direct	ASR 1750	131	130	619	601	76.1

* Selection of actuator is determined by torques based on liquids.
For other applications please seek the advice of ERIKS

The information provided in this document is for general information purposes only and does not constitute advice. ERIKS shall not be liable for any damages resulting from the use of this document, including but not limited to damages caused by any incorrectness or incompleteness of the provided information, unless such damage is the result of any willful misconduct or gross negligence on part of ERIKS.

For more information, a quotation or an order please contact one of our specialists on number +31 (072) 514 18 00

ERIKS bv • P.O. box 280 • 1800 BK Alkmaar • phone (072) 514 15 14 • fax (072) 515 56 45 • info@eriks.nl • www.eriks.nl