

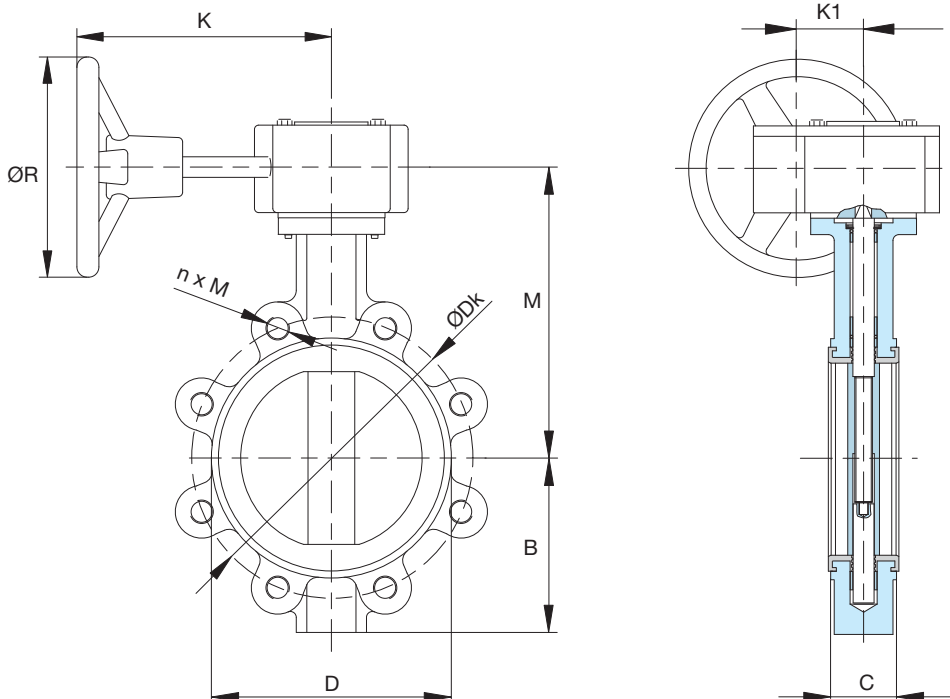


**Gearbox operated butterfly valve RX®
fig. 706X/WK
lug type**

full lug type butterfly valve with rubber seat and gearbox, suitable for water, neutral liquids and HEVAC and suitable for automation

- Butterfly valve** : fig. 706X
- Material body** : ductile cast iron (GJS 400-15)
- Material disc** : stainless steel 316 (GX5CrNiMo19-11-2)
- Material shaft** : stainless steel 316 (X5CrNiMo17-12-2)
- Material seat** : EPDM
- Process connection** : installation between (welding neck) flanges
 - up to DN150; PN10/16
 - DN200 up to DN300; PN10
- Overall length** : according to EN 558, table 1/20 (formerly DIN 3201-K1)
- Maximum operating pressure** : - up to DN150; 16 bar
 - DN200 up to DN300; 10 bar
- Temperature range** : -20 °C to +120 °C
- Body coating** : epoxy
- Operation** : gearbox
- Design** : with handwheel
- Material** : aluminium with epoxy coating

*Larger sizes on request.
Butterfly valves in accordance with PED 97/23/EC.*



The information provided in this document is for general information purposes only and does not constitute advice. ERIKS shall not be liable for any damages resulting from the use of this document, including but not limited to damages caused by any incorrectness or incompleteness of the provided information, unless such damage is the result of any willful misconduct or gross negligence on part of ERIKS.

For more information, a quotation or an order please contact one of our specialists on number +31 (072) 514 18 00

Tabel 1: Dimensions fig. 706X/WK

DN	Butterfly valve					Gearbox				Weight
	C	B	D	nxM	ØDk	K	K1	M	ØR	Kg
	mm	mm	Mm		mm	mm	mm	mm	mm	
50	43	62	93	4xM16	125	144	46	169	134	5.5
65	46	72	104	4xM16	145	144	46	182	134	6.0
80	46	87	121	8xM16	160	144	46	188	134	7.4
100	52	106	152	8xM16	180	144	46	206	134	9.4
125	56	121	178	8xM16	210	144	46	219	134	11.9
150	56	138	200	8xM16	240	144	46	229	134	12.9
200	60	174	260	8xM16	295	211	78	280	215	22.0
250	68	207	315	12xM20	350	211	78	313	215	34.5
300	78	250	374	12xM20	400	211	78	357	215	51.5

The information provided in this document is for general information purposes only and does not constitute advice. ERIKS shall not be liable for any damages resulting from the use of this document, including but not limited to damages caused by any incorrectness or incompleteness of the provided information, unless such damage is the result of any willful misconduct or gross negligence on part of ERIKS.

For more information, a quotation or an order please contact one of our specialists on number +31 (072) 514 18 00

ERIKS bv • P.O. box 280 • 1800 BK Alkmaar • phone (072) 514 15 14 • fax (072) 515 56 45 • info@eriks.nl • www.eriks.nl