

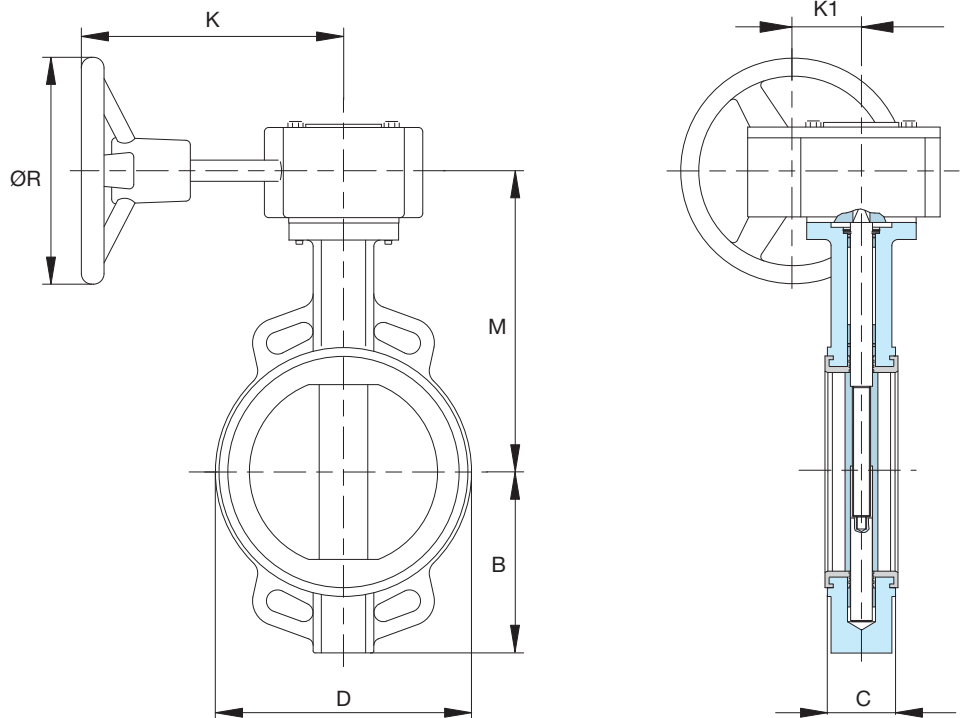


**Gearbox operated butterfly valve RX®
fig. 705X/WK
wafer type**

standard wafer type butterfly valve with rubber seat and gearbox and handle, suitable for water, neutral liquids and HEVAC and suitable for automation

Butterfly valve	: fig. 705X
Material body	: ductile cast iron (GJS 400-15)
Material disc	: stainless steel 316 (GX5CrNiMo19-11-2)
Material shaft	: stainless steel 316 (X5CrNiMo17-12-2)
Material seat	: EPDM
Process connection	: installation between (welding neck) flanges PN10/16 and ANSI 150 lbs
Overall length	: according to EN 558, table 1/20 (formerly DIN 3201-K1)
Maximum operating pressure	: - up to DN200; 16 bar - DN250 and DN300; 10 bar
Temperature range	: -20 °C to +120 °C
Body coating	: epoxy
Operation	: gearbox
Design	: with handwheel
Material	: aluminium with epoxy coating

*Larger sizes on request
Butterfly valves in accordance with PED 97/23/EC*



The information provided in this document is for general information purposes only and does not constitute advice. ERIKS shall not be liable for any damages resulting from the use of this document, including but not limited to damages caused by any incorrectness or incompleteness of the provided information, unless such damage is the result of any willful misconduct or gross negligence on part of ERIKS.

For more information, a quotation or an order please contact one of our specialists on number +31 (072) 514 18 00

Tabel 1: Dimensions fig.705X/WK

DN	Butterfly valve			Gearbox				Weight
	C	B	D	K	K1	M	ØR	
	mm	Mm	mm	mm	Mm	mm	mm	kg
50	43	62	92	144	46	169	134	4.7
65	46	73	104	144	46	182	134	5.0
80	46	86	122	144	46	188	134	5.7
100	52	106	152	144	46	206	134	7.1
125	56	122	178	144	46	219	134	9.1
150	56	137	200	144	46	229	134	9.1
200	60	174	266	211	78	280	215	17.7
250	68	207	316	211	78	313	215	27.5
300	78	252	366	211	78	357	215	34.6

The information provided in this document is for general information purposes only and does not constitute advice. ERIKS shall not be liable for any damages resulting from the use of this document, including but not limited to damages caused by any incorrectness or incompleteness of the provided information, unless such damage is the result of any willful misconduct or gross negligence on part of ERIKS.

For more information, a quotation or an order please contact one of our specialists on number +31 (072) 514 18 00

ERIKS bv • P.O. box 280 • 1800 BK Alkmaar • phone (072) 514 15 14 • fax (072) 515 56 45 • info@eriks.nl • www.eriks.nl