

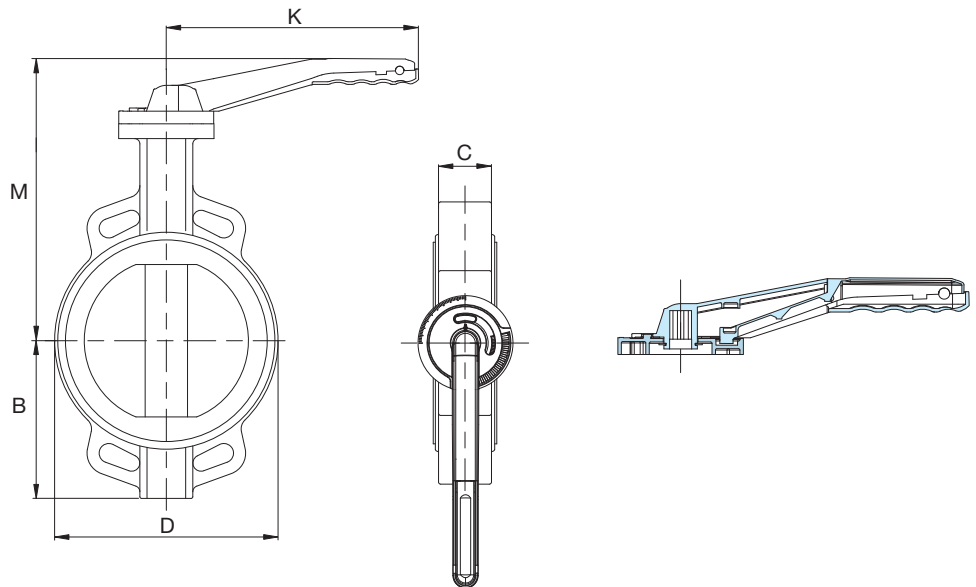


**Handle operated butterfly valve RX®
fig. 705X/MH
wafer type**

standard wafer type butterfly valve with rubber seat and handle operation with multiple position locking, suitable for water, neutral liquids and HEVAC and suitable for automation

- Butterfly valve** : fig. 705X
- Material body** : ductile cast iron (GJS 400-15)
- Material disc** : stainless steel 316 (GX5CrNiMo19-11-2)
- Material shaft** : stainless steel 316 (X5CrNiMo17-12-2)
- Material seat** : EPDM
- Process connection** : installation between (welding neck) flanges
PN10/16 and ANSI 150 lbs
- Overall length** : according to EN 558, table 1/20 (formerly DIN 3201-K1)
- Maximum operating pressure** : - up to DN200; 16 bar
- DN250 and DN300; 10 bar
- Temperature range** : -20 °C to +120 °C
- Body coating** : epoxy
- Operation** : handle
- Material** : - up to DN200; lightweight aluminium
- DN250 and DN300; ductile cast iron
- Coating** : epoxy
- Position locking** : multiple, with provision for padlock

*Larger sizes on request
Butterfly valves in accordance with PED 97/23/EC*



Tabel 1: Dimensions fig. 705X/MH

Butterfly valve				Handle		Weight
DN	C	B	D	K	M	kg
	mm	mm	mm	mm	mm	
50	43	63	92	205	213	2.6

The information provided in this document is for general information purposes only and does not constitute advice. ERIKS shall not be liable for any damages resulting from the use of this document, including but not limited to damages caused by any incorrectness or incompleteness of the provided information, unless such damage is the result of any willful misconduct or gross negligence on part of ERIKS.

For more information, a quotation or an order please contact one of our specialists on number +31 (072) 514 18 00

ERIKS bv • P.O. box 280 • 1800 BK Alkmaar • phone (072) 514 15 14 • fax (072) 515 56 45 • info@eriks.nl • www.eriks.nl

Tabel 1: Dimensions fig. 705X/MH

DN	Butterfly valve			Handle		Weight kg
	C mm	B mm	D mm	K mm	M mm	
65	46	75	104	205	226	2.9
80	46	90	123	205	232	3.6
100	52	110	152	205	251	5.0
125	56	122	180	255	273	7.1
150	56	137	200	255	285	7.1
200	60	175	262	355	335	13.1
250	68	206	315	355	367	22.9
300	78	248	370	355	411	30.1

The information provided in this document is for general information purposes only and does not constitute advice. ERIKS shall not be liable for any damages resulting from the use of this document, including but not limited to damages caused by any incorrectness or incompleteness of the provided information, unless such damage is the result of any willful misconduct or gross negligence on part of ERIKS.

For more information, a quotation or an order please contact one of our specialists on number +31 (072) 514 18 00

ERIKS bv • P.O. box 280 • 1800 BK Alkmaar • phone (072) 514 15 14 • fax (072) 515 56 45 • info@eriks.nl • www.eriks.nl